

Plastic Distribution Box

HA-12ways Plastic Distribution Box

Dimension:

Type	Lenght(mm)	Width(mm)	Height(mm)
HA 2-4ways(IP65)	140	210	100
HA 8ways(IP65)	215	210	100
HA 12ways(IP65)	300	260	140
HA 18ways(IP65)	410	285	140
HA 24ways(IP65)	415	300	140

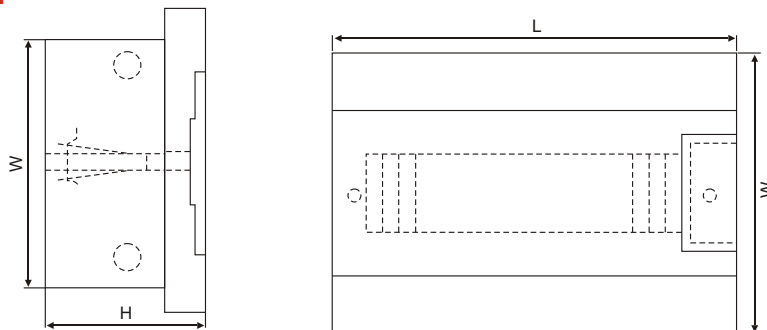
HK-8ways Plastic Distribution Box

Dimension:

Type	Lenght(mm)	Width(mm)	Height(mm)
HK 2-5ways(IP65)	140	140	105
HK 8ways(IP65)	185	185	105
HK 12ways(IP65)	270	195	105
HK 18ways(IP65)	370	195	105

LGD-12ways(N) Plastic Distribution Box

Dimension:



Type	Lenght(mm)	Width(mm)	Height(mm)
LGD 3ways	115	138	75
LGD 6ways	180	155	90
LGD 8ways	190	220	90
LGD 12ways	298	198	100
LGD 18ways	415	212	90
LGD 24ways	300	323	90



MEBA ELECTRIC ENTERPRISES.

Plastic Distribution Box

MB-ABC Plastic Distribution Box

Specification:

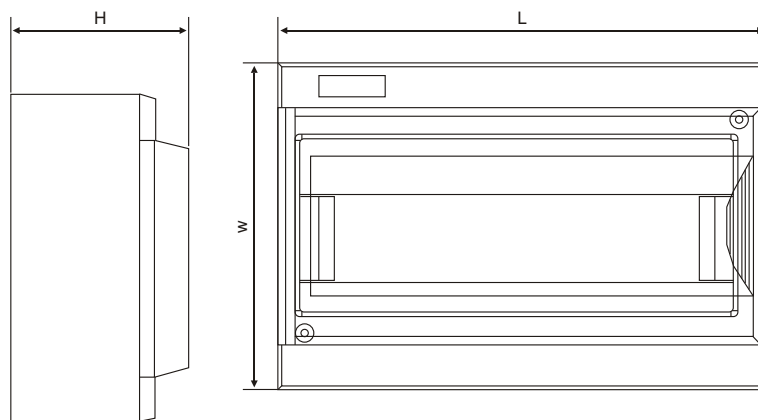
MB-ABC Flush series Modular distribution boxes/distributionboards are mainly used in the circuit of AC 50Hz, rated voltage 220V/380V, and acted to install the modular combination equipment. It is widely used in the family, high building, house, station, port, airport, commercial house, hospital, cinema, enterprises and so on occasions. The plastic unit of the MB-ABC Flush series Modular distribution boxes/distribution boards adopt ABS material with the characteristics of flame-proof, impulse proof, excellent insulation property and so on.

This distribution boxes/ boards enclosure confirm to standard BS EN60439-3, JB/T7121-93.

Structure and Feature:

This distribution boxes/Distribution board enclosure is provided with elegant appearance and reasonable structures; Installation and dismounting are easy. The products is designed according to the requirement of standardization, generalization and seriation, which make the products with excellent interchangeability.

Dimension:



Type	Lenght(mm)	Width(mm)	Height(mm)
MB-ABC500	200	174	95
MB-ABC700	255	172	95
MB-ABC900	328	172	95



MB-AF 6ways



MB-AF 8ways



MB-AF 12ways

Plastic Distribution Box

MB-AF Plastic Distribution Box

Specification:

MB-AF Flush series Modular distribution boxes/distribution boards are the new design with the fashion door. They are mainly used in the circuit of AC 50Hz, rated voltage 220V/380 V, and acted to install the modular combination equipment. It is widely used in the family, high building, house, station, port, airport, commercial house, hospital, cinema, enterprises and so on occasions. The plastic unit of the MB-AF modular distribution boxes/distribution boards adopt ABS material with the characteristics of flame-proof, impulse proof, excellent insulation property and so on.

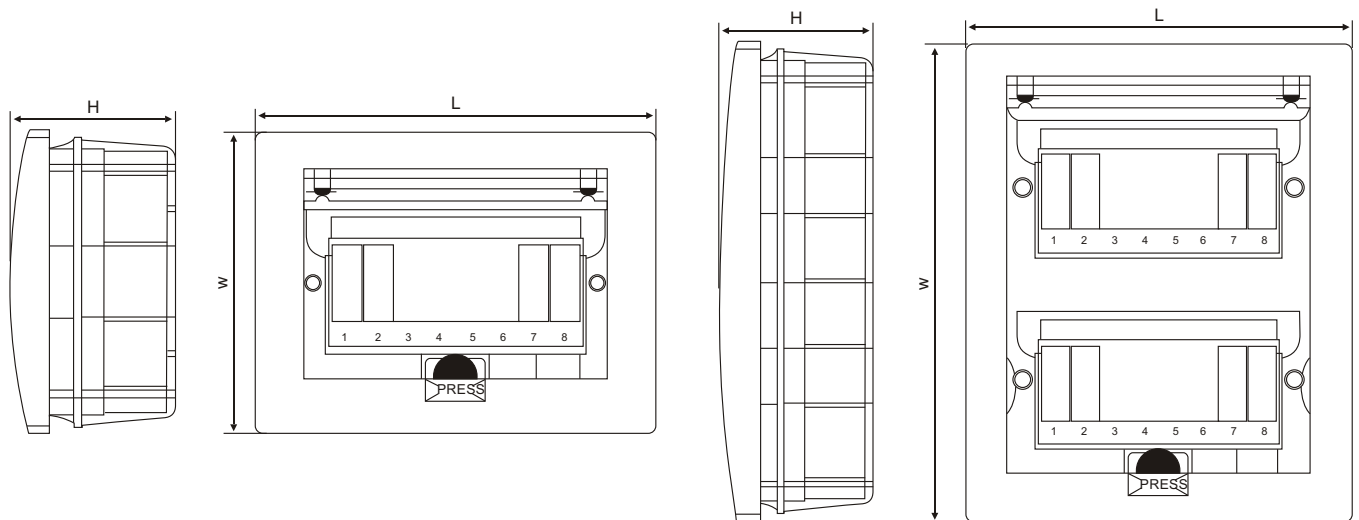
This distribution boxes/boards enclosure confirm to standard BSEN60439-3, JB/T7121-93.

Structure and Feature:

This distribution boxes/distribution boards enclosure is provided with elegant appearance and reasonable structures; Installation and dismounting are easy. The products are designed according to the requirement of standardization, generalization and seriation, which make the products with excellent interchangeability.

This distribution box has 6way, 8way, 12way, 16way, 24way and 36way.

Dimension(mm):



Type	H1	H2	H3	L	L1	W1	W
MB-AF 6ways	60	74	99.5	185	172	130	141
MB-AF 8ways	60	74	99.5	230	216.2	165.2	175
MB-AF 12ways	60	74	99.5	308	296.2	200.2	209
MB-AF 16ways	59	73	103	233	219.2	279.2	290
MB-AF 24ways	59	73	103	314	299.2	333.2	344
MB-AF 36ways	59	73	103	314	299.2	428.7	110



MEBA ELECTRIC
ENTERPRISES.

Plastic Distribution Box

MB-AF Plastic Distribution Box

Specification:

MB-AF Flush series Modular distribution boxes/distributionboards are the new design with the fashion door. They are mainly used in the circuit of AC 50Hz, rated voltage 220V/380 V, and acted to install the modular combination equipment. It is widely used in the family, high building, house, station, port, airport, commercial house, hospital, cinema, enterprises and so on occasions. The plastic unit of the MB-AF modular distribution boxes/distribution boards adopt ABS material with the characteristics of flame-proof, impulse proof, excellent insulation property and so on.

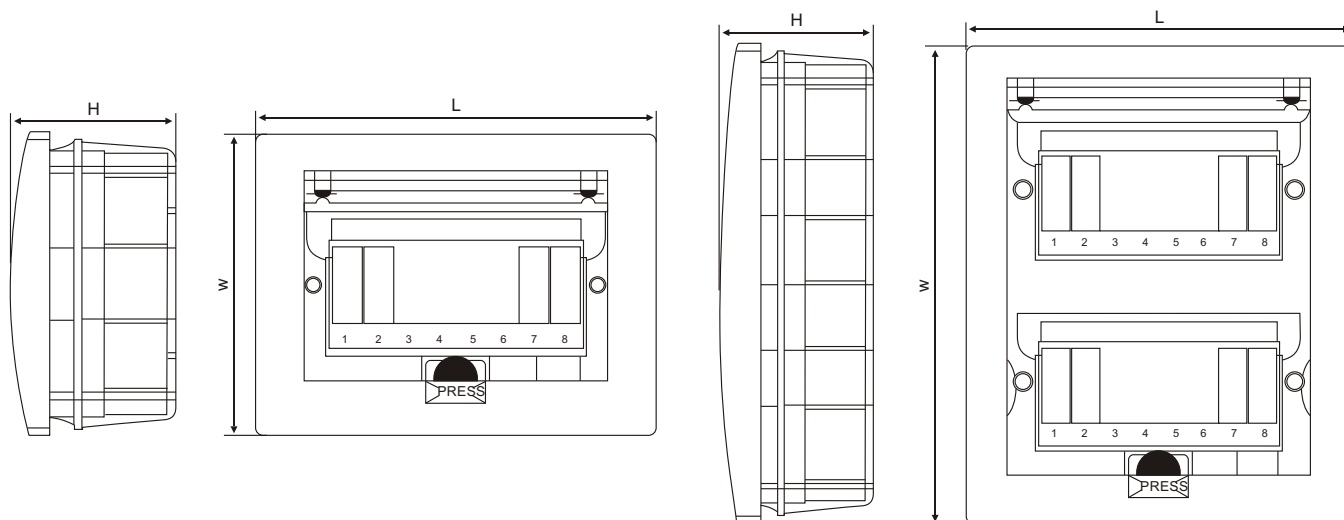
This distribution boxes/boards enclosure confirm to standard BSEN60439-3, JB/T7121-93.

Structure and Feature:

This distribution boxes/distribution boards enclosure is provided with elegant appearance and reasonable structures; Installation and dismantling are easy. The products are designed according to the requirement of standardization, generalization and seriation, which make the products with excellent interchangeability.

This distribution box has 6way, 8way, 12way, 16way, 24way and 36way.

Dimension(mm):



Type	H1	H2	H3	L	L1	W1	W
MB-AF 6ways	60	74	99.5	185	172	130	141
MB-AF 8ways	60	74	99.5	230	216.2	165.2	175
MB-AF 12ways	60	74	99.5	308	296.2	200.2	209
MB-AF 16ways	59	73	103	233	219.2	279.2	290
MB-AF 24ways	59	73	103	314	299.2	333.2	344
MB-AF 36ways	59	73	103	314	299.2	428.7	110



Plastic Distribution Box

MB-AS Plastic Distribution Box

Specification:

MB-AS Surface series Modular distribution boxes/distribution boards are the new design with the fashion door. They are mainly used in the circuit of AC50Hz, rated voltage220V/380V, and acted to install the modular combination equipment. It is widely used in the family, high building, house, station, port, airport, commercial house, hospital, cinema, enterprises and so on occasions. The plastic unit of the MB-AS modular distribution boxes/distribution boards adopt ABS material with the characteristics of flame-proof, impulse proof, excellent insulation property and so on.

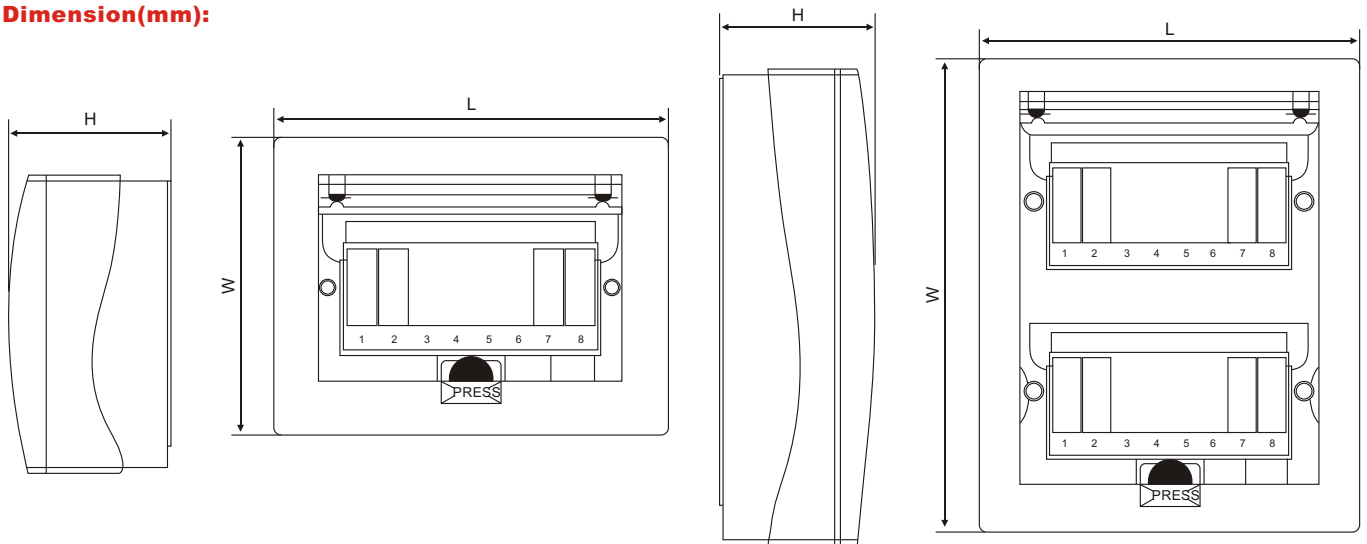
This distribution boxes/ boards enclosure confirm to standard BSEN60439-3, JB/T7121-93.

Structure and Feature:

This distribution boxes/distribution boards enclosure is provided with elegant appearance and reasonable structures; Installation and dismantling are easy. The products are designed according to the requirement of standardization, generalization and seriation, which make the products with excellent interchangeability.

This distribution box has 6way, 8way, 12way, 16way, 24way and 36way.

Dimension(mm):



Type	Lenght	Width	Height
MB-AS 6ways	185	141	100
MB-AS 8ways	230	175	100
MB-AS 12ways	308	290	100
MB-AS 16ways	233	290	104
MB-AS 24ways	314	344	104
MB-AS 36ways	314	440	104



Plastic Distribution Box

MB-AS Plastic Distribution Box

Specification:

MB-AS Surface series Modular distribution boxes/distribution boards are the new design with the fashion door. They are mainly used in the circuit of AC 50Hz, rated voltage 220V/380V, and acted to install the modular combination equipment. It is widely used in the family, high building, house, station, port, airport, commercial house, hospital, cinema, enterprises and so on occasions. The plastic unit of the MB-AS modular distribution boxes/distribution boards adopt ABS material with the characteristics of flame-proof, impulse proof, excellent insulation property and so on.

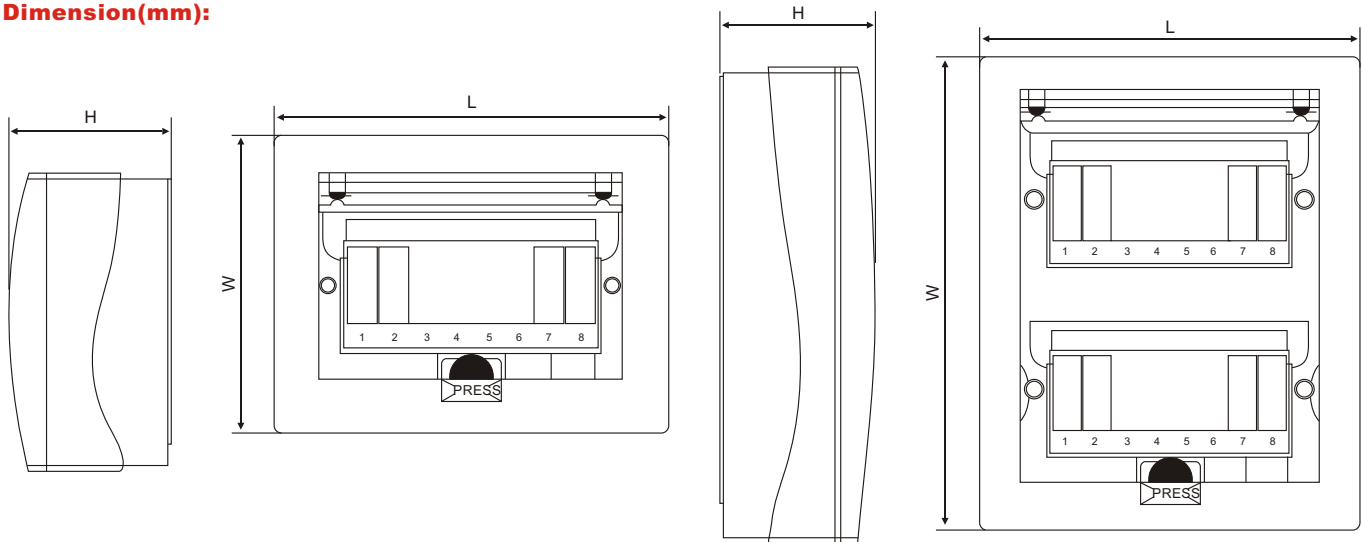
This distribution boxes/boards enclosure confirm to standard BSEN60439-3, JB/T7121-93.

Structure and Feature:

This distribution boxes/distribution boards enclosure is provided with elegant appearance and reasonable structures; Installation and dismounting are easy. The products are designed according to the requirement of standardization, generalization and seriation, which make the products with excellent interchangeability.

This distribution box has 6way, 8way, 12way, 16way, 24way and 36way.

Dimension(mm):



Type	Length	Width	Height
MB-AS 6ways	185	141	100
MB-AS 8ways	230	175	100
MB-AS 12ways	308	290	100
MB-AS 16ways	233	290	104
MB-AS 24ways	314	344	104
MB-AS 36ways	314	440	104



Plastic Distribution Box

MB-LF Plastic Distribution Box

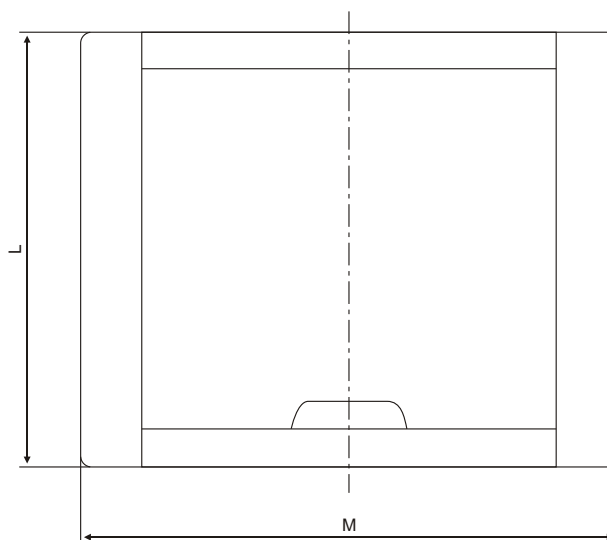
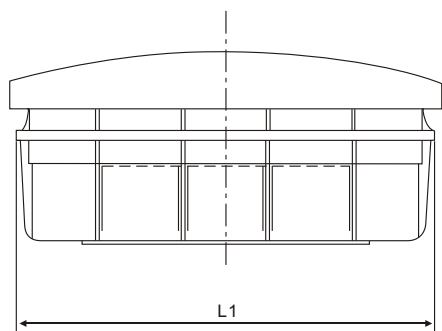
Specification:

MB-LF Flush typeseries Modular distribution boxes/distribution boards are mainly used in the circuit of AC 50Hz, rated voltage 220V/380V, and acted to install the modular combination equipment. It is widely used in the family, high building, house, station, port, airport, commercial house, hospital, cinema, enterprises and so on occasions. The plastic unit of the MB-LF modular distribution boxes/distribution boards adopt ABS material with the characteristics of flame-proof, impulse proof, excellent insulation property and so on. This distribution boxes/boards enclosure confirm to standard BS EN60439-3, JB/T7121-93.

Structure and Feature:

This distribution boxes/distribution boards enclosure is provided with elegant appearance and reasonable structures; Installation and dismounting are easy. The products are designed according to the requirement of standardization, generalization and seriation, which make the products with excellent interchangeability. This distribution box has 6way, 8way, 12way, 16way, 24way and 36way.

Dimension(mm):



Type	H1	H2	H3	L	L1	W1	W
MB-LF 6ways	60	74	99.5	185	172	130	141
MB-LF 8ways	60	74	99.5	230	216.2	165.2	175
MB-LF 12ways	60	74	99.5	308	296.2	200.2	209
MB-LF 16ways	59	73	103	233	219.2	279.2	290
MB-LF 24ways	59	73	103	314	299.2	333.2	344
MB-LF 36ways	59	73	103	314	299.2	428.7	110



MEBA ELECTRIC
ENTERPRISES.

Plastic Distribution Box

MB-LF Plastic Distribution Box

Specification:

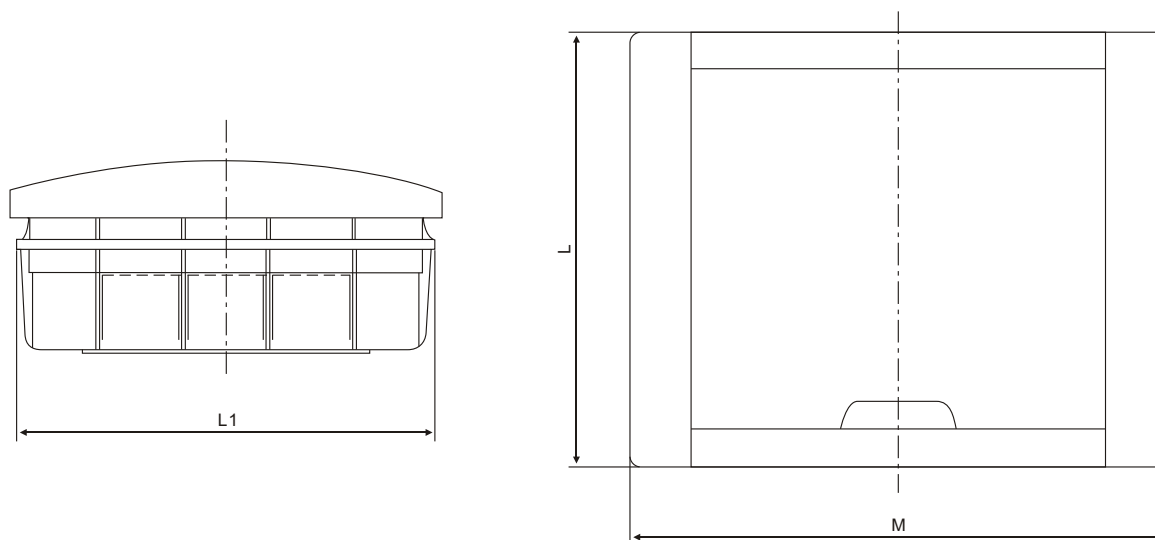
MB-LF Flush typeseries Modular distribution boxes/distribution boards are mainly used in the circuit of AC 50Hz, rated voltage 220V/380V, and acted to install the modular combination equipment. It is widely used in the family, high building, house, station, port, airport, commercial house, hospital, cinema, enterprises and so on occasions. The plastic unit of the MB-LF modular distribution boxes/distribution boards adopt ABS material with the characteristics of flame-proof, impulse proof, excellent insulation property and so on. This distribution boxes/boards enclosure confirm to standard BSEN60439-3, JB/T7121-93.

Structure and Feature:

This distribution boxes/distribution boards enclosure is provided with elegant appearance and reasonable structures; Installation and dismantling are easy. The products are designed according to the requirement of standardization, generalization and seriation, which make the products with excellent interchangeability.

This distribution box has 6way, 8way, 12way, 16way, 24way and 36way.

Dimension(mm):



Type	H1	H2	H3	L	L1	W1	W
MB-LF 6ways	60	74	99.5	185	172	130	141
MB-LF 8ways	60	74	99.5	230	216.2	165.2	175
MB-LF 12ways	60	74	99.5	308	296.2	200.2	209
MB-LF 16ways	59	73	103	233	219.2	279.2	290
MB-LF 24ways	59	73	103	314	299.2	333.2	344
MB-LF 36ways	59	73	103	314	299.2	428.7	110



Plastic Distribution Box

MB-LS Plastic Distribution Box

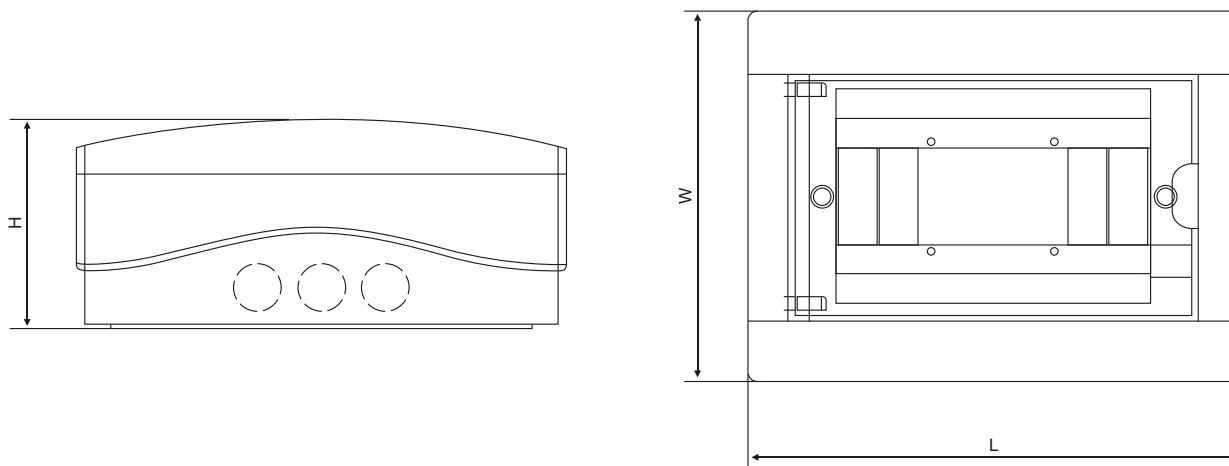
Specification:

MB-LS Surface typeseries Modular distributionboxes/distribution boards are mainly used in the circuit of AC50Hz, rated voltage220V/380V, and acted to install the modularcombination equipment. Itis widely used in the family, high building, house, station, port, airport, commercial house, hospital, cinema, enterprises and so on occasions. The plasticunit of the MB-LSmodular distribution boxes/distributionboards adopt ABS material with the characteristics of flame-proof, impulse proof, excellent insulation property and so on. This distribution boxes/boardsenclosure confirm to standard BS EN60439-3, JB/T7121-93.

Structure and Feature:

This distribution boxes/distribution boards enclosure is provided with elegant appearance and reasonable structures; Installation and dismounting are easy. The products are designed according to the requirement of standardization, generalization and seriation, which make the products with excellent interchangeability. This distribution box has 6way, 8way, 12way, 16way, 24way and 36way.

Dimension(mm):



Type	Lenght	Width	Height
MB-LS 6ways	185	141	100
MB-LS 8ways	230	175	100
MB-LS 12ways	308	290	100
MB-LS 16ways	233	290	104
MB-LS 24ways	314	344	104
MB-LS 36ways	314	440	104



Plastic Distribution Box

MB-LS Plastic Distribution Box

Specification:

MB-LS Surface typeseries Modular distribution boxes/distribution boards are mainly used in the circuit of AC50Hz, rated voltage220V/380V, and acted to install the modular combination equipment. It is widely used in the family, high building, house, station, port, airport, commercial house, hospital, cinema, enterprises and so on occasions. The plastic unit of the MB-LS modular distribution boxes/distribution boards adopt ABS material with the characteristics of flame-proof, impulse proof, excellent insulation property and so on.

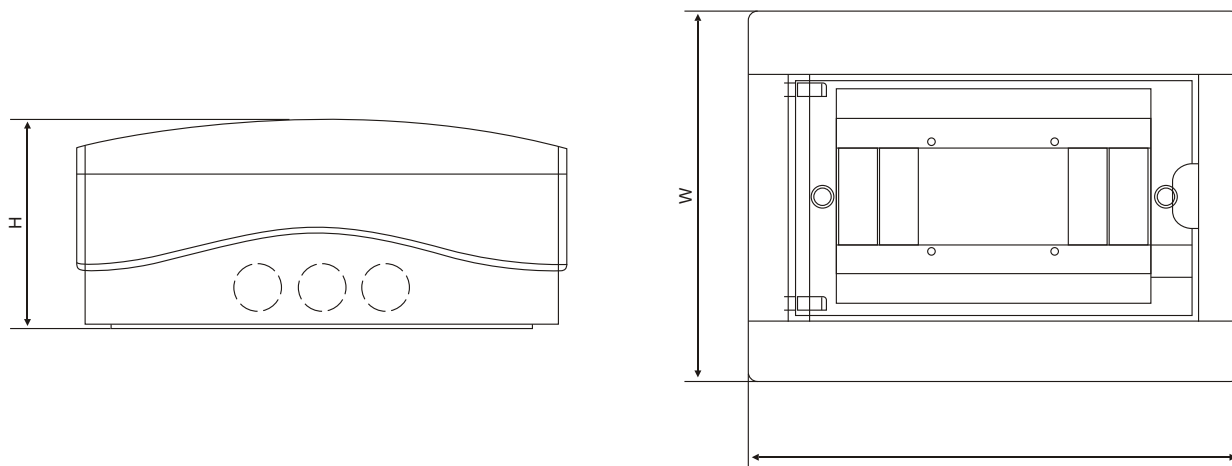
This distribution boxes/boards enclosure confirm to standard BS EN60439-3, JB/T7121-93.

Structure and Feature:

This distribution boxes/distribution boards enclosure is provided with elegant appearance and reasonable structures; Installation and dismounting are easy. The products are designed according to the requirement of standardization, generalization and seriation, which make the products with excellent interchangeability.

This distribution box has 6way, 8way, 12way, 16way, 24way and 36way.

Dimension(mm):



Type	Lenght	Width	Height
MB-LS 6ways	185	141	100
MB-LS 8ways	230	175	100
MB-LS 12ways	308	290	100
MB-LS 16ways	233	290	104
MB-LS 24ways	314	344	104
MB-LS 36ways	314	440	104



MB-S 1ways



MB-S 2ways



MB-S 4ways

Plastic Distribution Box

MB-S Plastic Distribution Box

Specification:

MB-S Surface type series Modular distribution boxes/distribution boards are mainly used in the circuit of AC 50Hz, rated voltage 220V/380V, and acted to install the modular combination equipment. It is widely used in the family, high building, house, station, port, airport, commercial house, hospital, cinema, enterprises and soon occasions. The plastic unit of the MB-S modular distribution boxes/distribution boards adopt ABS material with the characteristics of flame-proof, impulse proof, excellent insulation property and so on.

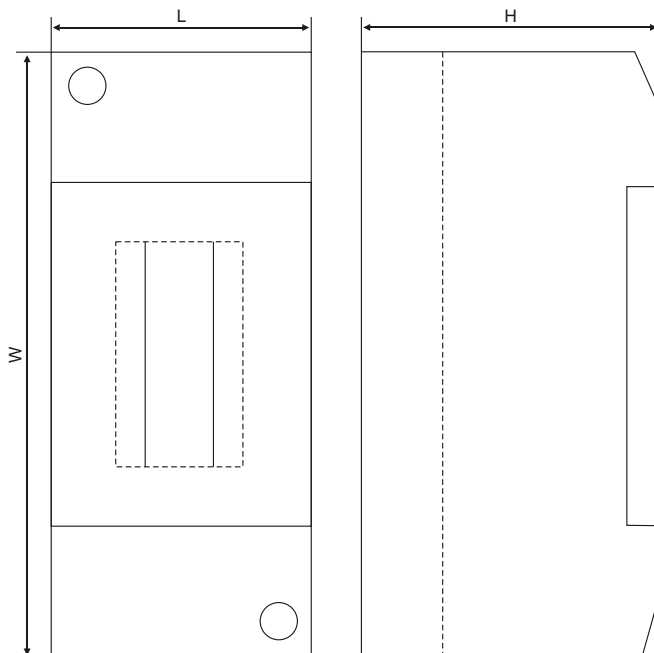
This distribution boxes/boards enclosure confirm to standard BS EN60439-3, JB/T7121-93.

Structure and Feature:

This distribution boxes/distribution boards enclosure is provided with elegant appearance and reasonable structures; Installation and dismounting are easy. The products are designed according to the requirement of standardization, generalization and seriation, which make the products with excellent interchangeability.

This distribution box has 1way, 2way, 4way, 6way and 8way.

Dimension(mm):



Type	Lenght	Width	Height
MB-S 1ways	34	130	60
MB-S 2ways	52	130	60
MB-S 4ways	87	130	60
MB-S 6ways	123	130	60
MB-S 8ways	160	130	60



MEBA ELECTRIC
ENTERPRISES.

Plastic Distribution Box

MB-TS Plastic Distribution Box

Specification:

MB-TS Surface series Modular distribution boxes/distribution boards are mainly used in the circuit of AC 50Hz, rated voltage 220V/380V, and acted to install the modular combination equipment. It is widely used in the family, high building, house, station, port, airport, commercial house, hospital, cinema, enterprises and soon occasions. The plastic unit of the MB-TS Surface series Modular distribution boxes/distribution boards adopt ABS material with the characteristics of flame-proof, impulse proof, excellent insulation property and so on.

This distribution boxes/boards enclosure confirm to standard BSEN60439-3, JB/T7121-93.

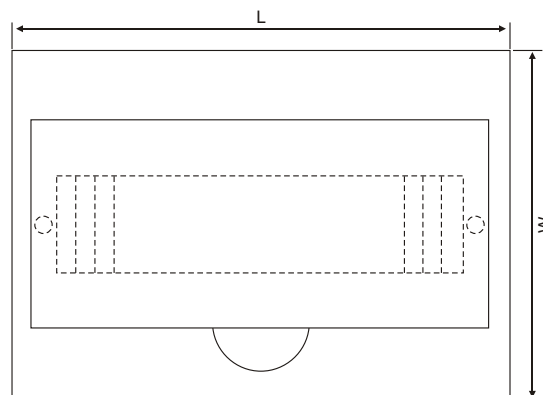
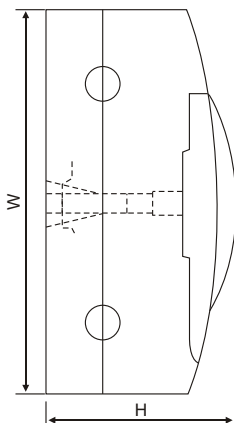
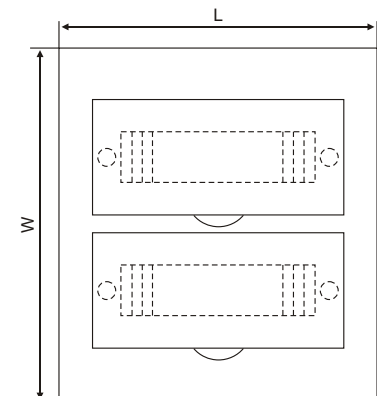
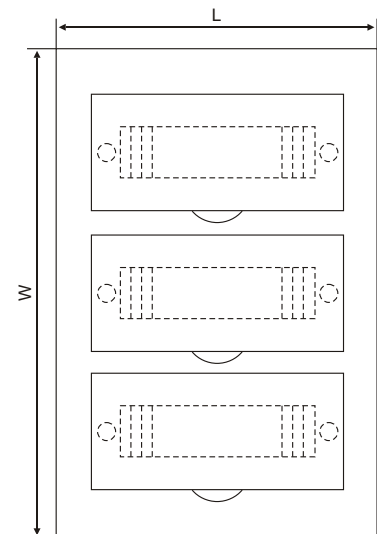
Structure and Feature:

This distribution boxes/Distribution boards enclosure is provided with elegant appearance and reasonable structures; Installation and dismantling are easy. The products is designed according to the requirement of standardization, generalization and seriation, which make the products with excellent interchangeability.

This distribution box has 4way, 6way, 8way, 10way, 12way, 15way, 18way, 24way upto 36way.

Dimension(mm):

Type	Lenght	Width	Height
MB-TS 4ways	112	200	95
MB-TS 6ways	148	200	95
MB-TS 8ways	184	200	95
MB-TS 10ways	222	200	95
MB-TS 12ways	256	200	95
MB-TS 15ways	310	200	95
MB-TS 18ways	365	222	95
MB-TS 24ways	271	325	97
MB-TS 36ways	271	462	100





Plastic Distribution Box

TSM Flush Plastic Distribution Box

Iron Base Dimension:

Type	Lenght	Width	Height
TSM-2ways	99	140	60
TSM-4ways	107	190	85
TSM-6ways	143	190	85
TSM-8ways	179	190	85
TSM-10ways	222	200	85
TSM-12ways	250	190	85
TSM-15ways	306	190	85
TSM-18ways	361	217	85
TSM-24ways	252	310	85
TSM-36ways	290	475	85
TSM-45ways	473	326	76

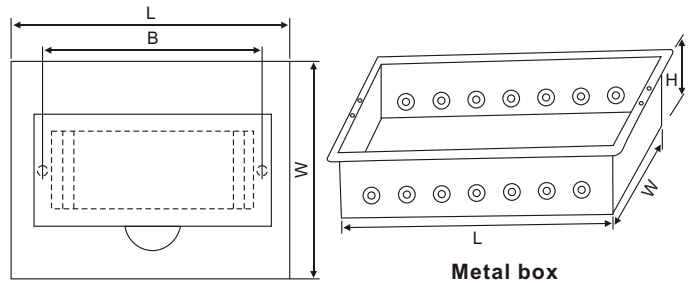
Plastics Base Dimension:

Type	Lenght	Width	Height
TSM-2ways	90	140	60
TSM-4ways	112	200	66
TSM-6ways	150	200	66
TSM-8ways	184	200	66
TSM-10ways	222	200	66
TSM-12ways	256	200	66
TSM-15ways	310	200	66
TSM-18ways	365	220	76
TSM-24ways	257	310	76
TSM-36ways	293	455	76
TSM-45ways	473	326	76

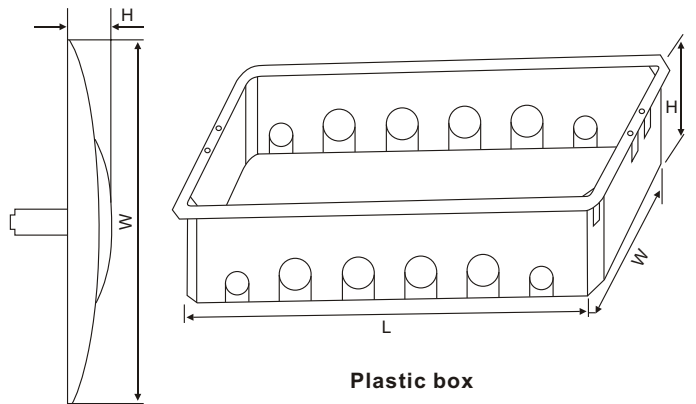
Iron Base Dimension:

Type	Lenght	Width	Height	B
TSM-2ways	95	150	27	75
TSM-4ways	136	222	27	86
TSM-6ways	172	222	27	122
TSM-8ways	208	222	27	158
TSM-12ways	280	222	27	230
TSM-15ways	334	222	27	283
TSM-18ways	398	252	27	338
TSM-24ways	300	345	27	232
TSM-36ways	341	505	27	265
TSM-45ways	365	505	27	285

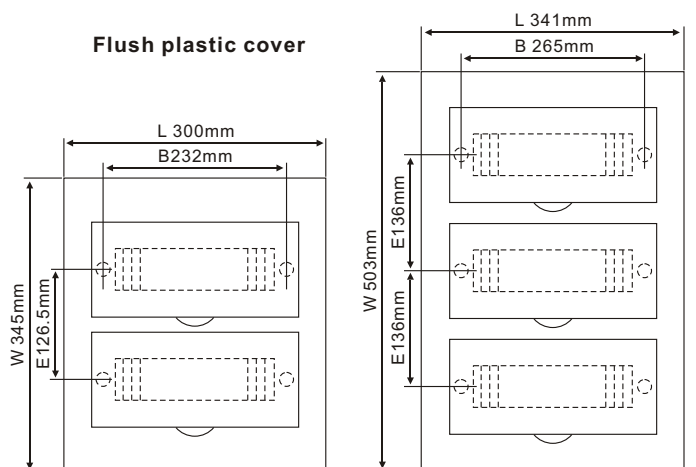
Metal Base Size:



Dark Plastic Crates Against the Wall-size:



Dark Plastic Cover Surface Size:





MEBA ELECTRIC ENTERPRISES.

Plastic Distribution Box

TSM Flush Plastic Distribution Box

Iron Base Dimension:

Type	Lenght	Width	Height
TSM-2ways	99	140	60
TSM-4ways	107	190	85
TSM-6ways	143	190	85
TSM-8ways	179	190	85
TSM-10ways	222	200	85
TSM-12ways	250	190	85
TSM-15ways	306	190	85
TSM-18ways	361	217	85
TSM-24ways	252	310	85
TSM-36ways	290	475	85
TSM-45ways	473	326	76

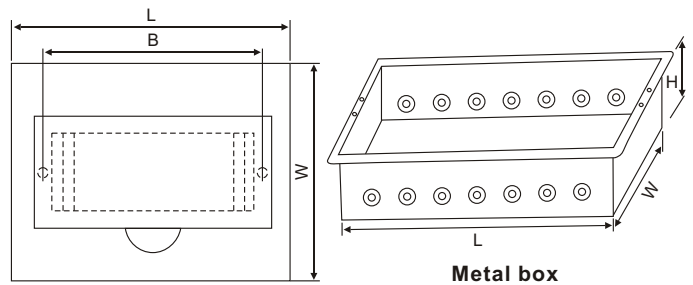
Plastics Base Dimension:

Type	Lenght	Width	Height
TSM-2ways	90	140	60
TSM-4ways	112	200	66
TSM-6ways	150	200	66
TSM-8ways	184	200	66
TSM-10ways	222	200	66
TSM-12ways	256	200	66
TSM-15ways	310	200	66
TSM-18ways	365	220	76
TSM-24ways	257	310	76
TSM-36ways	293	455	76
TSM-45ways	473	326	76

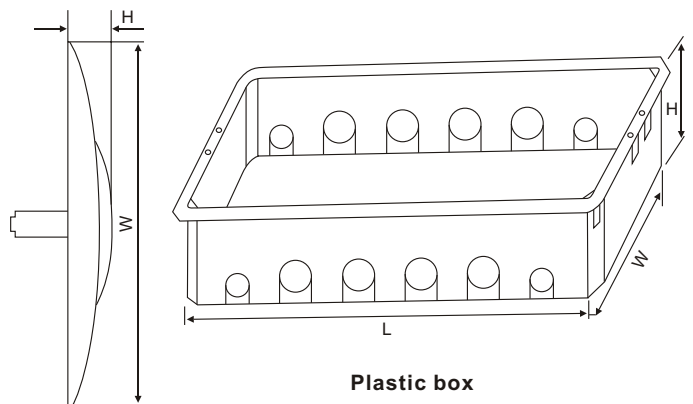
Iron Base Dimension:

Type	Lenght	Width	Height	B
TSM-2ways	95	150	27	75
TSM-4ways	136	222	27	86
TSM-6ways	172	222	27	122
TSM-8ways	208	222	27	158
TSM-12ways	280	222	27	230
TSM-15ways	334	222	27	283
TSM-18ways	398	252	27	338
TSM-24ways	300	345	27	232
TSM-36ways	341	505	27	265
TSM-45ways	365	505	27	285

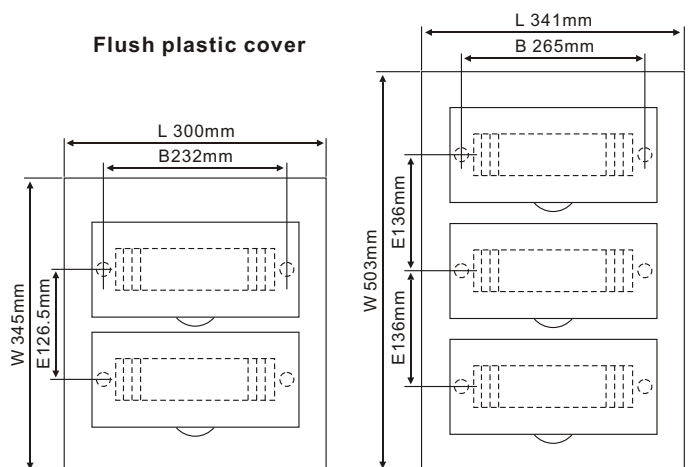
Metal Base Size:



Dark Plastic Crates Against the Wall-size:



Dark Plastic Cover Surface Size:





Plastic Distribution Box

TSM Flush Plastic Distribution Box

Iron Base Dimension:

Type	Lenght	Width	Height
TSM-2ways	99	140	60
TSM-4ways	107	190	85
TSM-6ways	143	190	85
TSM-8ways	179	190	85
TSM-10ways	222	200	85
TSM-12ways	250	190	85
TSM-15ways	306	190	85
TSM-18ways	361	217	85
TSM-24ways	252	310	85
TSM-36ways	290	475	85
TSM-45ways	473	326	76

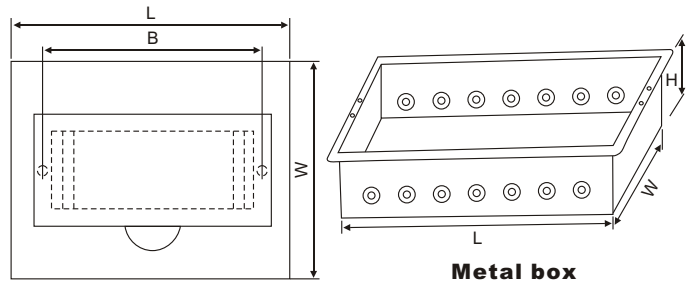
Plastics Base Dimension:

Type	Lenght	Width	Height
TSM-2ways	90	140	60
TSM-4ways	112	200	66
TSM-6ways	150	200	66
TSM-8ways	184	200	66
TSM-10ways	222	200	66
TSM-12ways	256	200	66
TSM-15ways	310	200	66
TSM-18ways	365	220	76
TSM-24ways	257	310	76
TSM-36ways	293	455	76
TSM-45ways	473	326	76

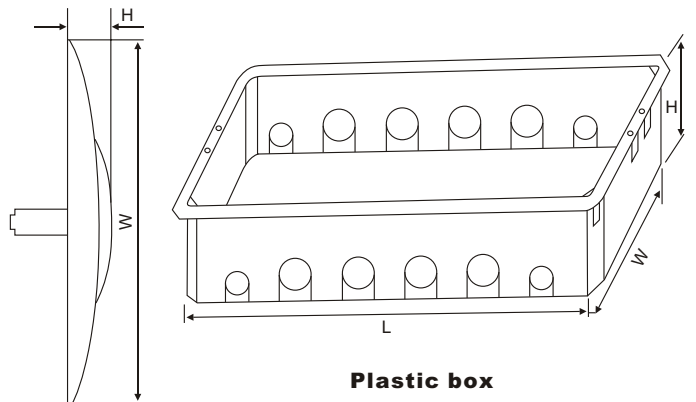
Iron Base Dimension:

Type	Lenght	Width	Height	B
TSM-2ways	95	150	27	75
TSM-4ways	136	222	27	86
TSM-6ways	172	222	27	122
TSM-8ways	208	222	27	158
TSM-12ways	280	222	27	230
TSM-15ways	334	222	27	283
TSM-18ways	398	252	27	338
TSM-24ways	300	345	27	232
TSM-36ways	341	505	27	265
TSM-45ways	365	505	27	285

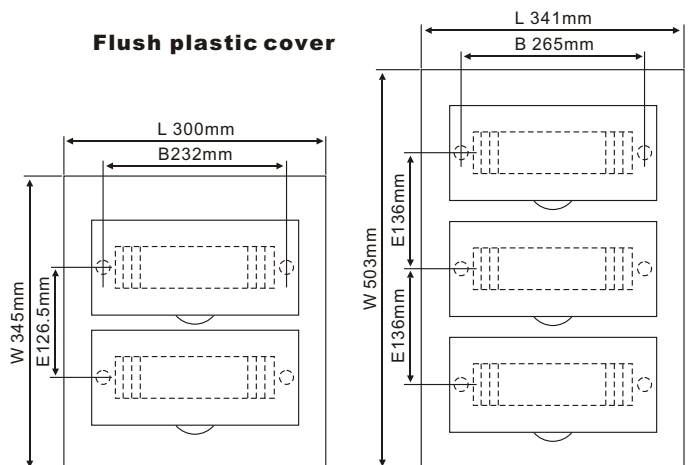
Metal Base Size:



Dark Plastic Crates Against the Wall-size:



Dark Plastic Cover Surface Size:



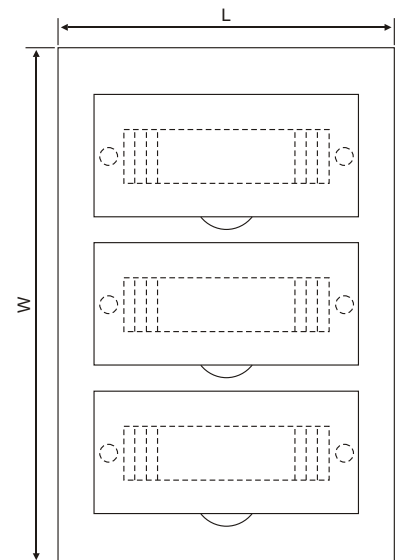
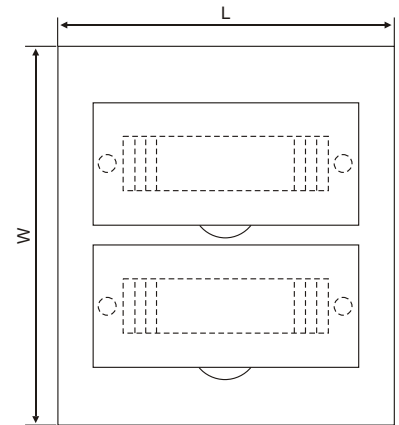
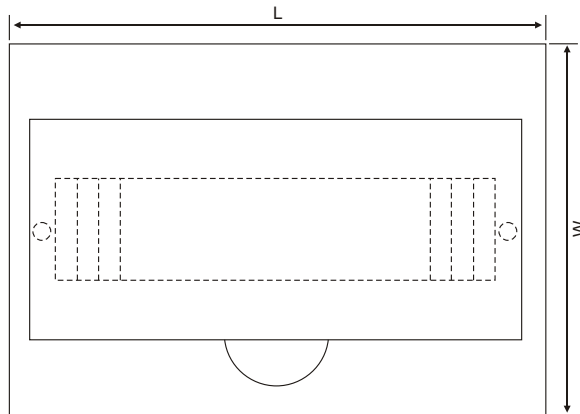
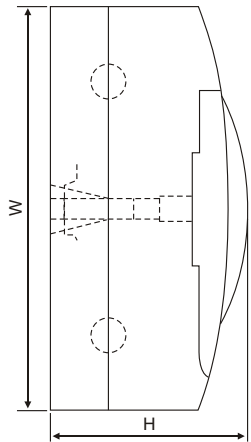


MEBA ELECTRIC ENTERPRISES.

Plastic Distribution Box

TSM Surface Plastic Distribution Box

Dimension(mm):



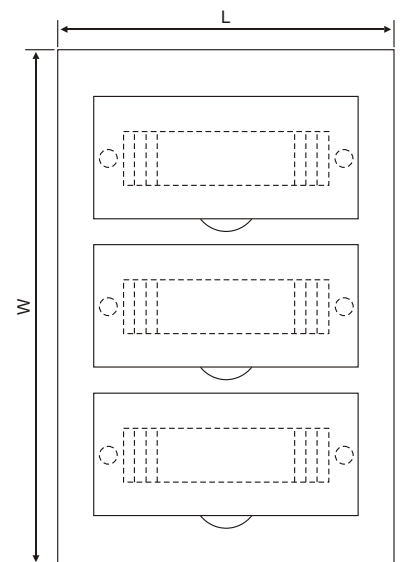
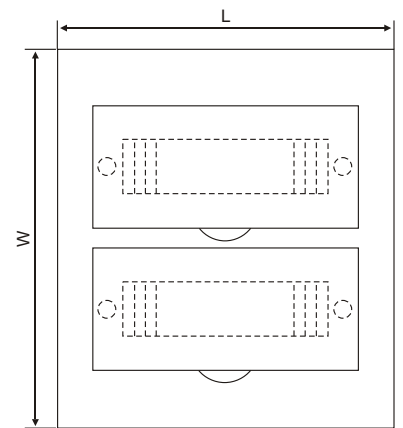
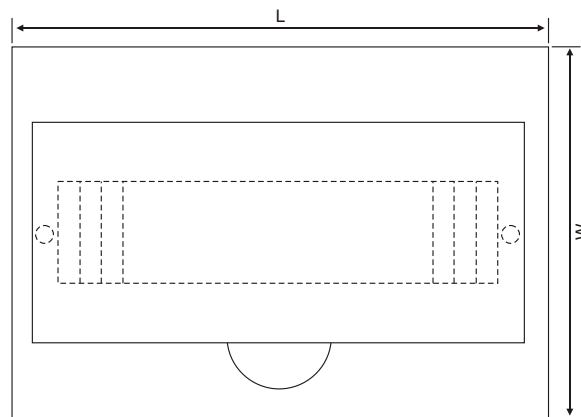
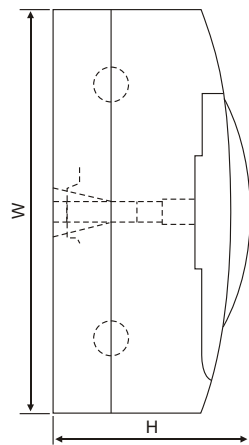
Type	Lenght	Width	Height
TSM-2ways	90	140	60
TSM-4ways	112	210	100
TSM-6ways	148	210	100
TSM-8ways	184	210	100
TSM-10ways	222	210	100
TSM-12ways	256	210	100
TSM-15ways	312	210	100
TSM-18ways	364	222	100
TSM-24ways	270	325	100
TSM-36ways	305	473	100



Plastic Distribution Box

TSM Surface Plastic Distribution Box

Dimension(mm):



Type	Lenght	Width	Height
TSM-2ways	90	140	60
TSM-4ways	112	210	100
TSM-6ways	148	210	100
TSM-8ways	184	210	100
TSM-10ways	222	210	100
TSM-12ways	256	210	100
TSM-15ways	312	210	100
TSM-18ways	364	222	100
TSM-24ways	270	325	100
TSM-36ways	305	473	100

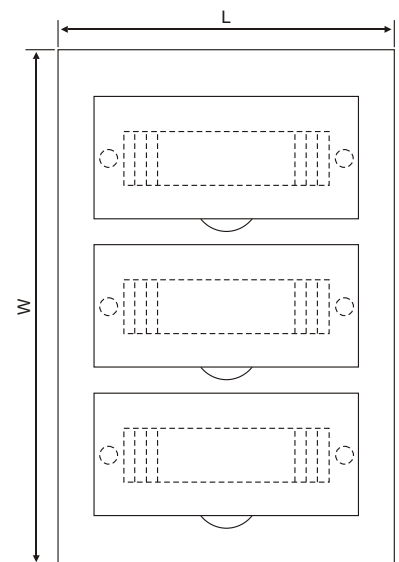
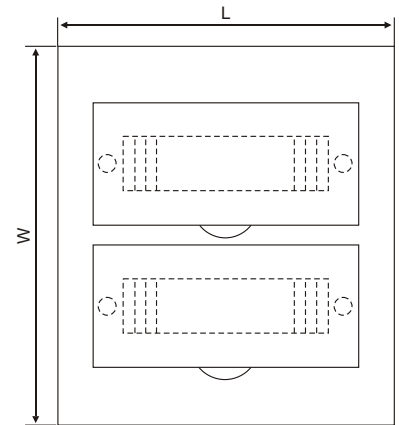
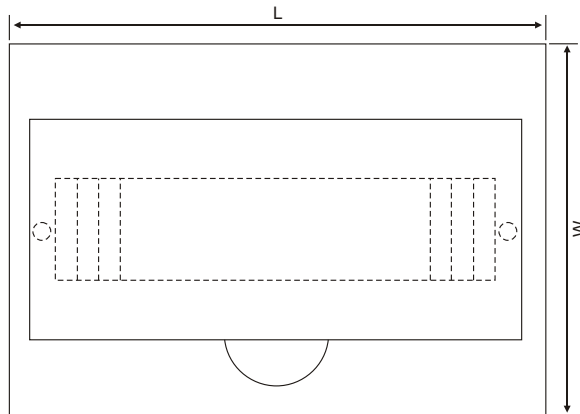
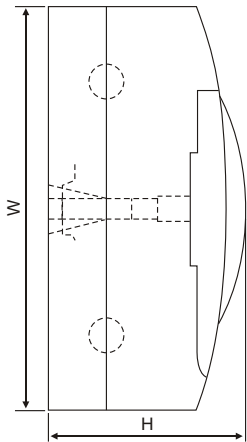
TSM-24ways-Surface

TSM-36ways-Surface

Plastic Distribution Box

TSM Surface Plastic Distribution Box

Dimension(mm):



Type	Lenght	Width	Height
TSM-2ways	90	140	60
TSM-4ways	112	210	100
TSM-6ways	148	210	100
TSM-8ways	184	210	100
TSM-10ways	222	210	100
TSM-12ways	256	210	100
TSM-15ways	312	210	100
TSM-18ways	364	222	100
TSM-24ways	270	325	100
TSM-36ways	305	473	100

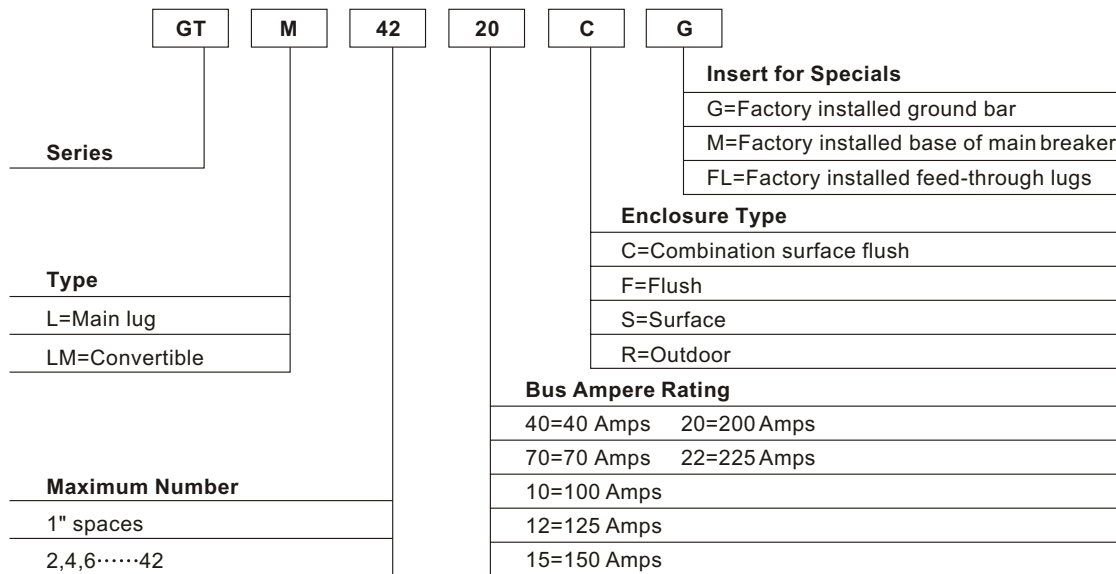


GTL412C

Metal Distribution Box

GTL412C Metal Distribution Box

Product Number Guide:



Technical parameter:

Product Number	Front Type	Main Ampere Rating	1"Spaces		1/2"Spaces		Total 1-pole Spaces
			1 Pole	2 Pole	1 Pole	2 Pole	
GTL240S	Surface	40	2	1	4	1	4
GTL412C	Combination	125	4	2	8	3	8
GTL612F	Flush	125	6	3	12	4	12
GTL612FD	Flush	125	6	3	12	4	12
GTLM612FM	Flush	125	6	3	12	4	12
GTL612S	Surface	125	6	3	12	4	12
GTL612SD	Surface	125	6	3	12	4	12
GTLM612SM	Surface	125	6	3	12	4	12
GTL812F	Flush	125	8	4	16	8	16
GTL812FD	Flush	125	8	4	16	8	16
GTLM812FM	Flush	125	8	4	16	8	16
GTL812S	Surface	125	8	4	16	8	16
GTL812SD	Surface	125	8	4	16	8	16
GTLM812SM	Surface	125	8	4	16	8	16
GTLM1212C	Combination	200	12	6	24	10	24
GTLM1212CM	Combination	200	12	6	24	10	24
GTLM1620C	Combination	200	16	8	32	14	32



MEBA ELECTRIC
ENTERPRISES.

Metal Distribution Box

GTL412C Metal Distribution Box

Technical parameter:

Product Number	Front Type	Main Ampere Rating	1"Spaces		1/2"Spaces		Total 1-pole Spaces
			1 Pole	2 Pole	1 Pole	2 Pole	
GTLM1620CM	Combination	200	16	8	32	14	32
GTLM2020C	Combination	200	20	10	40	18	40
GTLM2020CM	Combination	200	20	10	40	18	40
GTLM2412CM	Combination	125	24	12	-	-	24
GTLM2420C	Combination	200	24	12	42	18	42
GTLM2420CM	Combination	200	24	12	42	18	42
GTLM3220C	Combination	200	32	16	16	6	32
GTLM3220CM	Combination	200	32	16	16	6	32
GTLM4020C	Combination	200	40	20	-	-	40
GTLM4020CM	Combination	200	40	20	-	-	40
GTLM4222C	Combination	225	42	20	-	-	42
GTLM4222CM	Combination	225	42	20	-	-	42

MT-DB-M12-310F Metal Distribution Box

Technical parameter:

Model	Weight(Kg)
SP 125A	
DB-04-112F(S)	3
DB-08-112F(S)	3.5
TP 100AW/O Main breaker	
DB-12-310F(S)	8
DB-18-310F(S)	8
DB-24-31F(S)	10
TP 100AWith Main breaker	
DB-M08-310F(S)	7.5
DB-M12-310F(S)	8.5
DB-M18-310F(S)	9.5
DB-M24-310F(S)	11
DB-M30-310F(S)	12
TP 100AMain breaker	
DB-M18-310 SS F(S)	13Kgs
DB-M24-310 SS F(S)	14Kgs
DB-M30-310 SS F(S)	15Kgs
DB-M36-310 SS F(S)	16Kgs
DB-M42-310 SS F(S)	17Kgs



Stainless Steel Distribution Box

TS Metal Box Stainless Steel Distribution Box

Specification:

- TS Metal enclosure
- Single door
- IP65 weather proof metal box
- Many sizes for your selecting

Technical parameter:

H	W	D	Thickness		
			Door/mm	Body/mm	M.P/mm
200	200	150	1.2	1.2	2
250	200	150	1.2	1.2	2
300	200	150	1.2	1.2	2
300	200	200	1.2	1.2	2
300	250	150	1.2	1.2	2
300	250	200	1.2	1.2	2
300	250	250	1.2	1.2	2
300	300	150	1.2	1.2	2
300	300	200	1.2	1.2	2
300	300	250	1.2	1.2	2
400	300	150	1.2	1.2	2
400	300	200	1.2	1.2	2
400	300	250	1.2	1.2	2
400	300	300	1.2	1.2	2
400	400	150	1.2	1.2	2
400	400	200	1.2	1.2	2
400	400	250	1.2	1.2	2
400	400	300	1.2	1.2	2
500	300	150	1.2	1.2	2
500	300	200	1.2	1.2	2
500	300	250	1.2	1.2	2
500	300	300	1.2	1.2	2
500	400	150	1.2	1.2	2
500	400	200	1.2	1.2	2
500	400	300	1.2	1.2	2
500	500	150	1.2	1.2	2
500	500	200	1.2	1.2	2

H	W	D	Thickness		
			Door/mm	Body/mm	M.P/mm
500	500	250	1.2	1.2	2
500	500	300	1.2	1.2	2
600	400	150	1.2	1.2	2
600	400	200	1.2	1.2	2
600	400	250	1.2	1.2	2
600	400	300	1.2	1.2	2
600	500	150	1.2	1.2	2
600	500	200	1.2	1.2	2
600	500	250	1.2	1.2	2
600	500	300	1.2	1.2	2
600	600	150	1.2	1.2	2
600	600	200	1.2	1.2	2
600	600	250	1.2	1.2	2
600	600	300	1.2	1.2	2
700	400	200	1.2	1.2	2
700	400	300	1.2	1.2	2
700	500	150	1.2	1.2	2
700	500	200	1.2	1.2	2
700	500	250	1.2	1.2	2
700	500	300	1.2	1.2	2
700	600	200	1.2	1.2	2
700	600	250	1.2	1.2	2
700	600	300	1.2	1.2	2
800	600	200	1.5	1.5	2
800	600	250	1.5	1.5	2
800	600	300	1.5	1.5	2
800	600	400	1.5	1.5	2
800	800	200	1.5	1.5	2
800	800	250	1.5	1.5	2
800	800	300	1.5	1.5	2
1000	600	200	1.5	1.5	2
1000	600	250	1.5	1.5	2
1000	600	300	1.5	1.5	2
1000	700	200	1.5	1.5	2
1000	800	200	1.5	1.5	2



MEBA ELECTRIC
ENTERPRISES.

Stainless Steel Distribution Box

TS Metal Box Stainless Steel Distribution Box

Technical parameter:

H	W	D	Thickness		
			Door/mm	Body/mm	M.P/mm
mm	mm	mm			
1000	800	250	1.5	1.5	2
1000	800	300	1.5	1.5	2
1000	800	400	1.5	1.5	2
1000	1000	250	1.5	1.5	2
1000	1000	300	1.5	1.5	2
1200	600	200	1.5	1.5	2
1200	600	250	1.5	1.5	2
1200	600	300	1.5	1.5	2
1200	800	200	1.5	1.5	2
1200	800	250	1.5	1.5	2
1200	800	300	1.5	1.5	2
1200	1000	250	1.5	1.5	2
1200	1000	300	1.5	1.5	2
1200	1000	400	1.5	1.5	2
1200	1200	250	1.5	1.5	2
1200	1200	300	1.5	1.5	2
1400	600	300	1.5	1.5	2
1400	800	300	1.5	1.5	2
1400	800	400	1.5	1.5	2
1400	1000	300	1.5	1.5	2
1400	1000	400	1.5	1.5	2
1400	1200	300	1.5	1.5	2

ED/EP Junction Box



ED 85x85x50

Specification:

- Easy and safe to use
- The branch line runs parallel to the main cable
- High moisture resistance and excellent mechanical protection
- Full range of sizes available

Dimension:

L	W	H	IP
85	85	50	55



EP 150x150x70

Specification:

- Easy and safe to use
- The branch line runs parallel to the main cable
- High moisture resistance and excellent mechanical protection
- Full range of sizes available

Dimension:

L	W	H	IP
150	150	70	55

ET/MB-BA... Junction Box



ET 200×200×80

Specification:

- Easy and safe to use
- The branch line runs parallel to the main cable
- High moisture resistance and excellent mechanical protection
- Full range of sizes available

Dimension:

L	W	H	IP
200	200	80	65



MB-BA 100×100×70

Specification:

- Easy and safe to use
- The branch line runs parallel to the main cable
- High moisture resistance and excellent mechanical protection
- Full range of sizes available

Dimension:

L	W	H	HOLE NO	IP
100	100	70	7	65



MB-BA 150×110×70

Specification:

- Easy and safe to use
- The branch line runs parallel to the main cable
- High moisture resistance and excellent mechanical protection
- Full range of sizes available

Dimension:

L	W	H	HOLE NO	IP
150	110	70	10	65



MB-BA 150×150×70

Specification:

- Easy and safe to use
- The branch line runs parallel to the main cable
- High moisture resistance and excellent mechanical protection
- Full range of sizes available

Dimension:

L	W	H	HOLE NO	IP
150	150	70	8	65



MB-BA 200×100×70

Specification:

- Easy and safe to use
- The branch line runs parallel to the main cable
- High moisture resistance and excellent mechanical protection
- Full range of sizes available

Dimension:

L	W	H	HOLE NO	IP
200	100	70	8	65



MB-BA 200×155×80

Specification:

- Easy and safe to use
- The branch line runs parallel to the main cable
- High moisture resistance and excellent mechanical protection
- Full range of sizes available

Dimension:

L	W	H	HOLE NO	IP
200	155	80	10	65



MB-BA 255×200×80

Specification:

- Easy and safe to use
- The branch line runs parallel to the main cable
- High moisture resistance and excellent mechanical protection
- Full range of sizes available

Dimension:

L	W	H	HOLE NO	IP
255	200	80	12	65



MB-BA 300×250×120

Specification:

- Easy and safe to use
- The branch line runs parallel to the main cable
- High moisture resistance and excellent mechanical protection
- Full range of sizes available

Dimension:

L	W	H	HOLE NO	IP
300	250	120	12	65



MB-BA 400×350×120

Specification:

- Easy and safe to use
- The branch line runs parallel to the main cable
- High moisture resistance and excellent mechanical protection
- Full range of sizes available

Dimension:

L	W	H	HOLE NO	IP
400	350	120	16	65



MB-BA 50×50

Specification:

- Easy and safe to use
- The branch line runs parallel to the main cable
- High moisture resistance and excellent mechanical protection
- Full range of sizes available

Dimension:

L	H	HOLE NO	IP
50	50	4	55

MB-BA / MB-BT...

Junction Box

MEBA ELECTRIC ENTERPRISES.



MB-BA 80x50

Specification:

- Easy and safe to use
- The branch line runs parallel to the main cable
- High moisture resistance and excellent mechanical protection
- Full range of sizes available

Dimension:

L	H	HOLE NO	IP
80	50	4	55



MB-BA 85x85x50

Specification:

- Easy and safe to use
- The branch line runs parallel to the main cable
- High moisture resistance and excellent mechanical protection
- Full range of sizes available

Dimension:

L	W	H	HOLE NO	IP
85	85	50	7	55



MB-BT 100x100x70

Specification:

- Easy and safe to use
- The branch line runs parallel to the main cable
- High moisture resistance and excellent mechanical protection
- Full range of sizes available

Dimension:

L	W	H	HOLE NO	IP
100	100	70	7	65



MB-BT 150x110x70

Specification:

- Easy and safe to use
- The branch line runs parallel to the main cable
- High moisture resistance and excellent mechanical protection
- Full range of sizes available

Dimension:

L	W	H	HOLE NO	IP
150	110	70	10	65



MB-BT 150x150x70

Specification:

- Easy and safe to use
- The branch line runs parallel to the main cable
- High moisture resistance and excellent mechanical protection
- Full range of sizes available

Dimension:

L	W	H	HOLE NO	IP
150	150	70	8	65



MB-BT 200x155x80

Specification:

- Easy and safe to use
- The branch line runs parallel to the main cable
- High moisture resistance and excellent mechanical protection
- Full range of sizes available

Dimension:

L	W	H	HOLE NO	IP
200	155	80	10	65



MB-BT 255x200x80

Specification:

- Easy and safe to use
- The branch line runs parallel to the main cable
- High moisture resistance and excellent mechanical protection
- Full range of sizes available

Dimension:

L	W	H	HOLE NO	IP
255	200	80	12	65



MB-BT 50x50

Specification:

- Easy and safe to use
- The branch line runs parallel to the main cable
- High moisture resistance and excellent mechanical protection
- Full range of sizes available

Dimension:

L	H	HOLE NO	IP
50	50	4	55



MB-BT 80x50

Specification:

- Easy and safe to use
- The branch line runs parallel to the main cable
- High moisture resistance and excellent mechanical protection
- Full range of sizes available

Dimension:

L	H	HOLE NO	IP
80	50	4	55



MB-BT 85x85x50

Specification:

- Easy and safe to use
- The branch line runs parallel to the main cable
- High moisture resistance and excellent mechanical protection
- Full range of sizes available

Dimension:

L	W	H	HOLE NO	IP
85	85	50	7	55