



www.mebamfg.com

Residual Current Breaker With Overload Protection

CC60NL RCBO

Applications:

CC60NL is combined between circuit breaker and earth leakage, protection against the earth leakage overload and short circuit current. CC60NL are used to replace one piece of MCB and one piece of RCCB. It opens a circuit automatically in the case of an earth leakage fault between phase and earth greater than or equal to I_n . It is accordingly to international standard IEC61009.

Technical parameter:

Type	CC60NL
Number of poles	1P+N
Rated Current(I_n)	1, 2, 3, 4, 6, 10, 16, 20, 25, 32, 40A
Rated operating current($I_{\Delta n}$)	30, 100, 300, 500mA
Rated Voltage(U_n)	AC 230(240) V
Residual operating current scope	$0.5I_{\Delta n}-I_{\Delta n}$
Residual current off-time	$\leq 0.3s$
Type	A, AC
Ultimate short-circuit breaking capacity(I_{cn})	6000A
Endurance	≥ 4000
Terminal protection	IP20

MBB8L-40 Residual Current Breaker With Overload Protection

Brand Name: Meba

Model Number: MBB8L-40

Type: Residual Current Breaker With Overload Protection(RCBO)

Poles Number: Double Pole(1P+N)

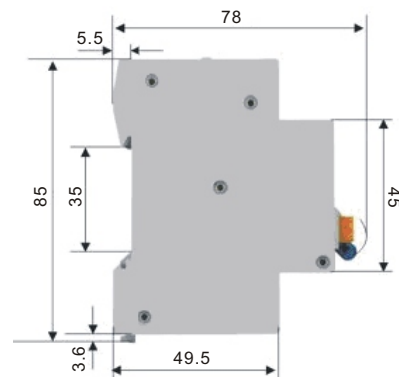
Specification:

MBB8L-40 RCBO, which is used in the single phase voltage 240V, 50Hz or 60Hz, rated current up to 40A. Function as combination of circuit breaker and residual current device. It is automatically cut off power within 0.1S when the people suffers the fault of electric because of over-current, short circuit, earth fault current. All breaking capacities comply with Standard IEC/EN 61009.

Technical parameter:

- Residual current device with overcurrent protection
- Combine in residual current device function and MCB over-current protection function
- Short circuit capacity: 6KA
- Rated current(A): 6, 16, 20, 25, 32, 40A
- Rated leakage operating current(mA): 30, 100, 300mA
- AC and A types, B-C characteristic
- Modular Din Rail products 35mm
- Rated residual current operated making and breaking capacity $I_{\Delta m}$: 500A
- Rated residual non-operated current: $I_{\Delta no}$: $0.5I_{\Delta n}$
- Electro-magnetic type

Dimensions(mm):



Residual Current Breaker With Overload Protection



MEBA ELECTRIC ENTERPRISES.

MBB8L-40N Residual Current Breaker With Overload Protection

Brand Name: Meba
 Model Number: MBB8L-40N
 Type: Residual Current Breaker With Overload Protection (RCBO)
 Poles Number: Double Pole (1P+N)

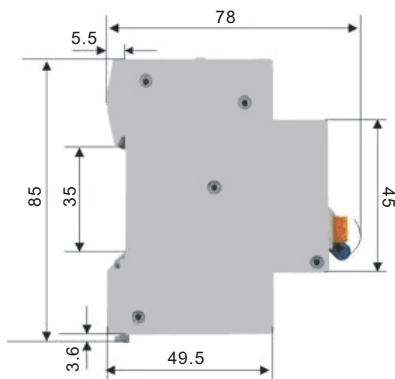
Specification:

MBB8L-40N RCBO, which used in the single phase voltage 240V, 50Hz or 60Hz, rated current up to 40A. Function as combination of circuit breaker and residual current device. It is automatically cut off power within 0.1S when the people suffers the fault of electric because of over-current, short circuit, earth fault current. All breaking capacities comply with Standard IEC/EN 61009.

Technical parameter:

- Residual current device with overcurrent protection
- Combine in residual current device function and MCB over-current protection function
- Short circuit capacity: 6KA
- Rated current(A): 6, 16, 20, 25, 32, 40A
- Rated leakage operating current(mA): 30, 100, 300mA
- AC and A types, B-C characteristic
- Modular Din Rail products 35mm
- Rated residual current operated making and breaking capacity $I_{\Delta m}$: 500A
- Rated residual non-operated current: $I_{\Delta no}$: 0.5 $I_{\Delta n}$
- Electro-magnetic type

Dimensions(mm):



MBB8LE-40 Residual Current Breaker With Overload Protection

Brand Name: Meba
 Model Number: MBB8LE-40
 Type: Residual Current Breaker With Overload Protection (RCBO)
 Poles Number: 2P

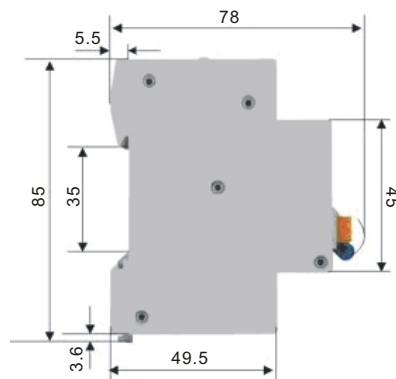
Specification:

MBB8LE-40 RCBO, which used in the single phase voltage 240V, 50Hz or 60Hz, rated current up to 40A. Function as combination of circuit breaker and residual current device. It is automatically cut off power within 0.1S when the people suffers the fault of electric because of over-current, short circuit, earth fault current. All breaking capacities comply with Standard IEC/EN 61009.

Technical parameter:

- Residual current device with overcurrent protection
- Combine in residual current device function and MCB over-current protection function
- Short circuit capacity: 10KA
- Rated current(A): 6, 16, 20, 25, 32, 40A
- Rated leakage operating current(mA): 30, 100, 300mA
- AC and A types, B-C characteristic
- Modular Din Rail products 35mm
- Rated residual current operated making and breaking capacity $I_{\Delta m}$: 500A
- Rated residual non-operated current: $I_{\Delta no}$: 0.5 $I_{\Delta n}$

Dimensions(mm):





www.mebamfg.com

Residual Current Breaker With Overload Protection

MBB1/2-63 Residual Current Breaker With Overload Protection

Application:

MBB1/2-63 RCBO is Electronic Type, used for AC 50HZ or 60HZ, single pole and two poles 230V; three poles and four poles 400V, rated current is up to 40A. It can automatically and immediately cut off power supply once someone suffers from electric shock or leakage current above specified value. It can effectively protect personal security and avoid the damage to equipments. This RCBO can also function as overload and short-circuit protection and un-frequent changeover of line under normal condition.

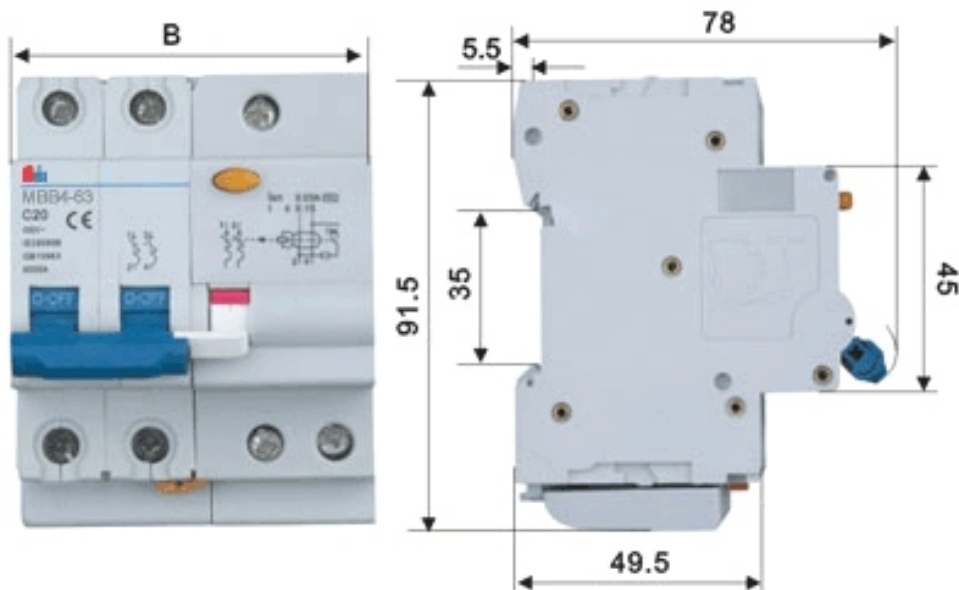
It is suitable for industry, business, building and residence, etc.

The product is conformity with GB16917.1, IEC61009-1 standards.

Technical parameter:

Rated current	6A, 10A, 16A, 20A, 25A, 32A, 40A, 50A, 63A
Rated residual operating current	0.01A, 0.03A
Tripping characteristics	C
Icn	6000A
Rated residual current operated making and breaking capacity IΔm	500A
Rated residual non-operated current	IΔno: 0.5IΔn

Overall and Mounting Dimensions:



Dimensions B(mm):

1 pole	2 pole	3 pole	4 pole
54	72	117	135

Residual Current Breaker With Overload Protection



MEBA ELECTRIC ENTERPRISES.

MBB3/4-63 Residual Current Breaker With Overload Protection

Application:

MBB3/4-63 RCBO is Electronic Type, used for AC 50HZ or 60HZ, single pole and two poles 230V; three poles and four poles 400V, rated current is up to 40A. It can automatically and immediately cut off power supply once someone suffers from electric shock or leakage current above specified value. It can effectively protect personal security and avoid the damage to equipments. This RCBO can also function as overload and short-circuit protection and un-frequent changeover of line under normal condition.

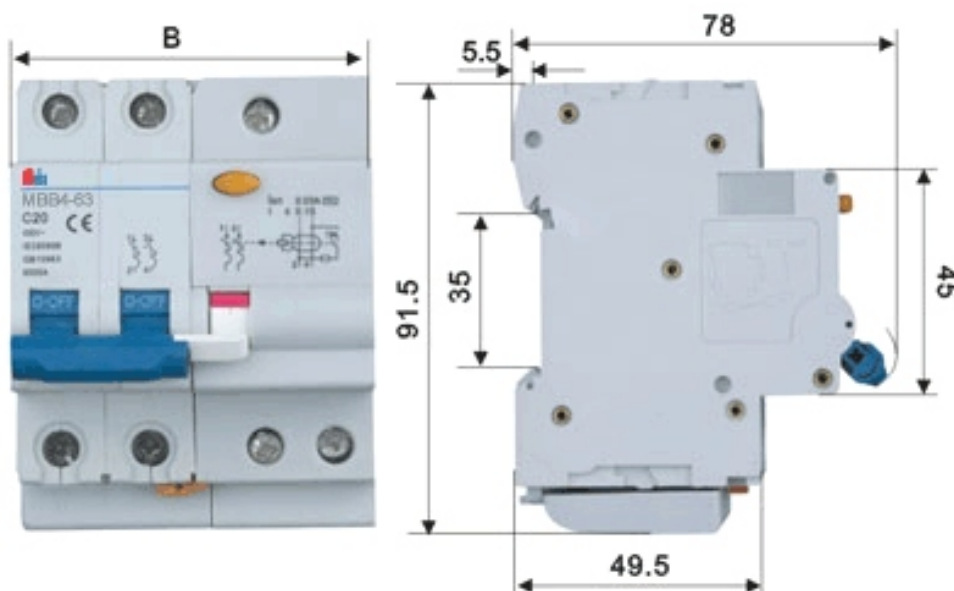
It is suitable for industry, business, building and residence, etc.

The product is conformity with GB16917.1, IEC61009-1 standards.

Technical parameter:

Rated current	6A, 10A, 16A, 20A, 25A, 32A, 40A, 50A, 63A
Rated residual operating current	0.01A, 0.03A
Tripping characteristics	C
Icn	6000A
Rated residual current operated making and breaking capacity I Δ m	500A
Rated residual non-operated current	I Δ no: 0.5I Δ n

Overall and Mounting Dimensions:



Dimensions B(mm):

1 pole	2 pole	3 pole	4 pole
54	72	117	135



www.mebamfg.com

Residual Current Breaker With Overload Protection

MB161/162 Residual Current Breaker With Overload Protection

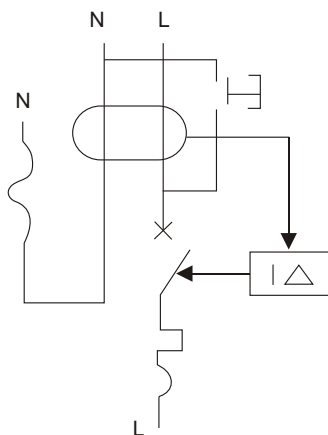
Construction and Feature:

- Provides protection against earth fault/leakage current, short-circuit and overload
- High short-circuit capacity
- Provides complementary protection against direct contact by human body
- Effectively protects electric equipment against insulating failure
- Contact position indication
- Provides protection against over-voltage
- Provides comprehensive protection to household and commercial distribution systems

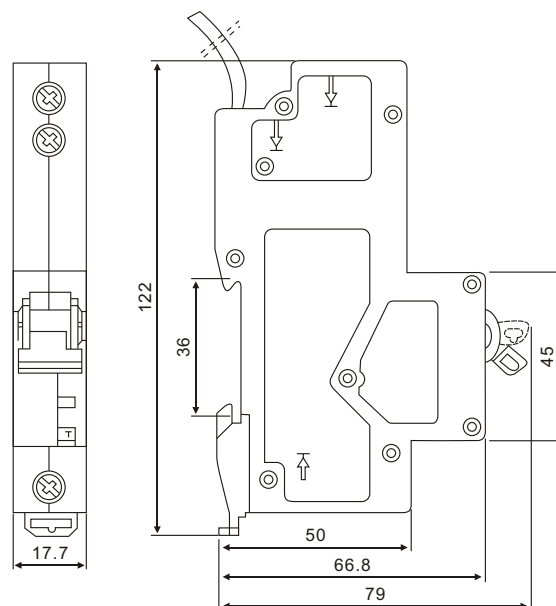
Technical parameter:

Type	Electro-magnetic type
Residual current characteristics	AC
Pole NO.	1P+N
Tripping curve	B, C
Rated short-circuit capacity	10kA
Rated current(A)	6, 10, 16, 20, 25, 32
Rated voltage	230/240V AC
Rated frequency	50/60Hz
Rated residual operating current(mA)	0.03, 0.1
Tripping duration	instantaneous $\leq 0.1s$
Electro-mechanical endurance	4000 cycles
Connection terminal	pillar terminal with clamp

Wiring Diagram:



Overall & Installation Dimensions:



Residual Current Breaker With Overload Protection



MB941-AC



MBBL6-63

MEBA ELECTRIC
ENTERPRISES.

MB941-AC Residual Current Breaker With Overload Protection

Application

MB941 is the latest developed RCBO(residual current circuit breaker with overload protection), the function include leakage, overload and short circuit current. additional protection against direct contact(thanks to $I_{\Delta n}=30A$).

Technical parameter:

No. of Poles	Type/Class	Nominal Fault Current $I_{\Delta n}$ mA	Nominal Current I_n A	Order Details Type Code
Icn=4.5kA,B characteristics				
1P+N	AC	30	10	MB941 B10-30MAAC
			16	MB941 B16-30MAAC
			20	MB941 B20-30MAAC
			25	MB941 B25-30MAAC
Icn=4.5kA,C characteristics				
1P+N	AC	30	10	MB941 C10-30MAAC
			16	MB941 C16-30MAAC
			20	MB941 C20-30MAAC
			25	MB941 C25-30MAAC
Icn=6kA,B characteristics				
1P+N	AC	30	10	MB951 B10-30MAAC
			16	MB951 B16-30MAAC
			20	MB951 B20-30MAAC
			25	MB951 B25-30MAAC
Icn=6kA,C characteristics				
1P+N	AC	30	10	MB951 C10-30MAAC
			16	MB951 C16-30MAAC
			20	MB951 C20-30MAAC
			25	MB951 C25-30MAAC

MBBL6-63 RCBO

Brand Name: Meba

Model Number: MBBL6-63

Type: Residual Current Breaker With Overload Protection(RCBO)

Poles Number: 1P

Specification:

MBBL6-63 RCBO, function as combination of circuit breaker and residual current device, which protect human from the fault of electric because of over-current, short circuit, earth fault current. MBBL6-63 is self-protecting up to a maximum short-circuit current 63A. All breaking capacities comply with Standard IEC/EN 61009.



www.mebamfg.com

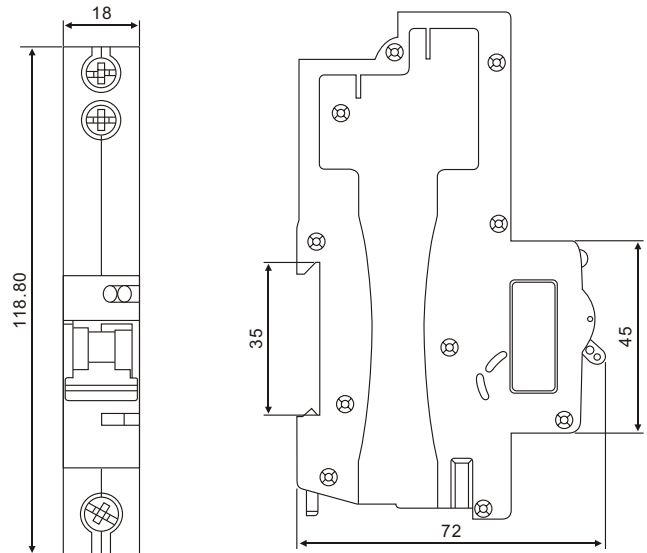
Residual Current Breaker With Overload Protection

MBBL6-63 RCBO

Technical parameter:

- Residual current device with overcurrent protection
- Combine in residual current device function and MCB over-current protection function
- Short circuit capacity: 10KA
- Rated current(A): 6, 16, 20, 25, 32, 40, 50, 63A
- Rated voltage: 230VAC
- Rated frequency: 50HZ, 60HZ
- Rated leakage operating current(mA): 30, 100, 300mA
- AC and A types, B-C characteristic
- Modular Din Rail products 35mm
- Tripping duration: instantaneous $\leq 0.1s$
- Electro-mechanical endurance: 4000 cycles
- Connection terminal: pillar terminal with clamp
- Flexible conductor 10mm²
- Rigid conductor 16mm²
- Type: electronic type
- Pole No.: 1P+N

Dimensions:



MBBL1-32 RCBO

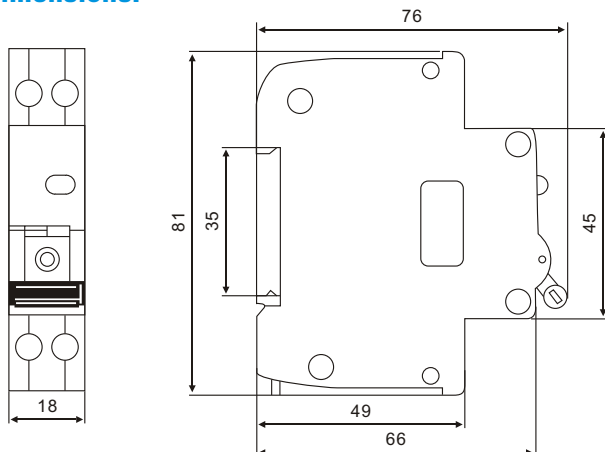
Brand Name: Meba

Model Number: MBBL1-32

Type: Residual Current Breaker With Overload Protection (RCBO)

Poles Number: 1P

Dimensions:



Specification:

MBBL1-32 RCBO, function as combination of circuit breaker and residual current device, which protect human from the fault of electric because of over-current, short circuit, earth fault current. MBBL1-32 is self-protecting up to a maximum short-circuit current 32A. All breaking capacities comply with Standard IEC/EN 61009.

Technical parameter:

- Residual current device with overcurrent protection
- Combine in residual current device function and MCB over-current protection function
- Short circuit capacity: 6KA
- Rated current(A): 6, 16, 20, 25, 32A
- Rated leakage operating current(mA): 30, 100, 300mA
- AC and A types, B-C characteristic
- Modular Din Rail products 35mm.

Residual Current Breaker With Overload Protection



MEBA ELECTRIC ENTERPRISES.

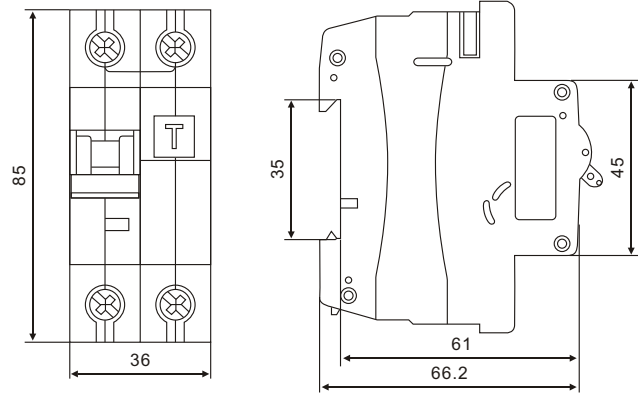
MBLN6-63 RCBO

Brand Name: Meba
 Model Number: MBLN6-63
 Type: Residual Current Breaker With Overload Protection(RCBO)
 Poles Number: 2P

Specification:

MBLN6-63 RCBO, which used in the single phase voltage 240V, 50 or 60Hz, rated current up to 63A. Function as combination of circuit breaker and residual current device, which protect human from the fault of electric within 0.1S because of over-current, short circuit, earth fault current. All breaking capacities comply with Standard IEC/EN 61009.

Dimensions(mm):



Technical parameter:

- Residual current device with overcurrent protection
- Combine in residual current device function and MCB over-current protection function
- Short circuit capacity: 6KA
- Rated current(A): 6, 16, 20, 25, 32, 40, 50, 63A
- Rated leakage operating current(mA): 30, 100, 300mA
- AC and A types, B-C characteristic
- Modular Din Rail products 35mm.

Frame	63A
Rated working voltage	240V
Rated frequency	50/60Hz
Rated working current	6, 16, 20, 25, 32, 40, 50, 63A
Rated residual operating current	0.01, 0.03, 0.1, 0.3A
Rated residual un-operating current	0.005, 0.015, 0.05, 0.15A
Sensibility	A & AC Type
Maximum operating time	$I\Delta n \leq 0.1s$, $5I\Delta n t \leq 0.04$
Rated making and breaking capacity	$I_n \leq 50A$ 500A, $I_n = 63A$ 630A, $I_n = 63A$ 1500A
Instant release type	B & C Type
Limiting value of un-operating current	6In
Rated limiting short-circuit current	10000A
Pole number	1P+N
Mechanical life	4000
Electric life	20000



www.mebamfg.com

Residual Current Breaker With Overload Protection

MBL1-32N C Type RCBO(AC)

Brand Name: Meba
 Model Number: MBL1-32N
 Type: Residual Current Breaker With Overload Protection(RCBO)
 Poles Number: 1P

Specification:

MBL1-32N RCBO, function as combination of circuit breaker and residual current device, which protect human from the fault of electric because of over-current, short circuit, earth fault current. MBL1-32N is self-protecting up to a maximum short-circuit current 32A. All breaking capacities comply with Standard IEC/EN 61009.

Technical parameter:

- Residual current device with overcurrent protection
- Combine in residual current device function and MCB over-current protection function
- Short circuit capacity: 4.5KA
- Rated current(A): 6, 16, 20, 25, 32A
- Rated leakage operating current(mA): 30, 100, 300mA
- AC and A types, B-C characteristic
- Modular Din Rail products 35mm.

MCH132X Residual Current Breaker With Overload Protection

Brand Name: Meba
 Model Number: MCH132X
 Type: Residual Current Breaker With Overcurrent Protection(RCBO)
 Poles Number: 1P

Specification:

MCH132X RCBO is suitable for the leakage protection of the line of AC 50/60Hz, rated voltage single phase 240V, rated current up to 63A. When there is human electricity shock or if the leakage current of the line exceeds the prescribed value, it will automatically cut off the power within 0.1s to protect human safety and prevent the accident due to the current leakage.

MCH132X RCBO can protect against overload and short circuit. It can be used to protect the line from being overloaded and short circuited as well as unfrequent changeover of the line in normal situation. It complies with standard of IEC/EN 61009-1 and GB 16917.1.

Technical parameter:

- | | |
|--|---|
| <ul style="list-style-type: none"> ■ Residual current device with overcurrent protection ■ Combine in residual current device function and MCB over-current protection function ■ Short circuit capacity: 10KA ■ Rated current(A): 6, 16, 20, 25, 32, 40, 50, 63A ■ Rated voltage: 230VAC ■ Rated frequency: 50HZ, 60HZ ■ Rated leakage operating current(mA): 30, 100, 300mA ■ AC and A types, B-C characteristic | <ul style="list-style-type: none"> ■ Modular Din Rail products 35mm ■ Tripping duration: instantaneous $\leq 0.1s$ ■ Electro-mechanical endurance: 4000 cycles ■ Connection terminal: pillar terminal with clamp ■ Flexible conductor 10mm² ■ Rigid conductor 16mm² ■ Type: electronic type ■ Pole No.: 1P+N |
|--|---|

Residual Current Breaker With Overload Protection



MEBA ELECTRIC ENTERPRISES.

MDZLE-32 A Type RCBO(DC)

Brand Name: Meba
Model Number: MDZLE-32
Type: Residual Current Breaker With Overload Protection(RCBO)
Poles Number: 1P

Specification:

MDZLE-32 RCBO, function as combination of circuit breaker and residual current device, which protect human from the fault of electric because of over-current, short circuit, earth fault current. MDZLE-32 is self-protecting up to a maximum short-circuit current 32A. All breaking capacities comply with Standard IEC/EN 61009.

Technical parameter:

- Residual current device with overcurrent protection
- Combine in residual current device function and MCB over-current protection function
- Short circuit capacity: 4.5KA
- Rated current(A): 6, 16, 20, 25, 32A
- Rated leakage operating current(mA): 30, 100, 300mA
- AC and A types, B-C characteristic
- Modular Din Rail products 35mm.

OBG7-63 Residual Current Breaker With Overload Protection

Brand Name: Meba
Model Number: OBG7-63
Type: Residual Current Breaker With Overload Protection(RCBO)
Poles Number: 2P

Specification:

OBG7-63 RCBO, function as combination of circuit breaker and residual current device, which protect human from the fault of electric because of over-current, short circuit, earth fault current. OBG7-63 is self-protecting up to a maximum short-circuit current 63A. All breaking capacities comply with Standard IEC/EN 61009.

Technical parameter:

- Residual current device with overcurrent protection
- Combine in residual current device function and MCB over-current protection function
- Short circuit capacity: 6KA
- Rated current(A): 6, 16, 20, 25, 32, 40, 50, 63A
- Rated leakage operating current(mA): 30, 100, 300mA
- AC and A types, B-C characteristic
- Modular Din Rail products 35mm.



www.mebamfg.com

Residual Current Breaker With Overload Protection

OLLB7 Residual Current Breaker With Overload Protection

Brand Name: Meba

Model Number: OLLB7

Type: Residual Current Breaker With Overload Protection(RCBO)

Poles Number: 2P

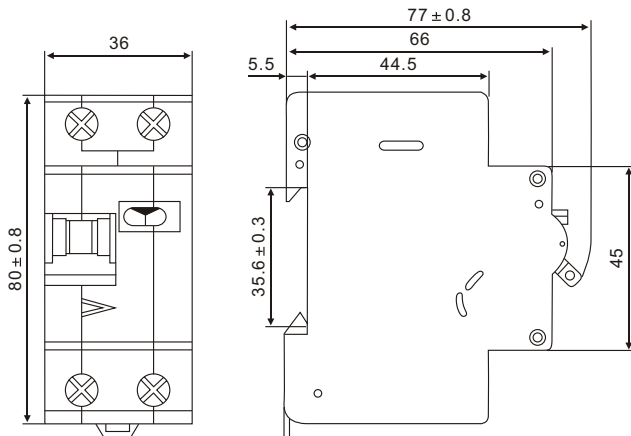
Specification:

OLLB7 RCBO, function as a combination of circuit breaker and residual current device, which protect human from the fault of electric because of over-current, short circuit, earth fault current. OLLB7 is self-protecting up to a maximum short-circuit current 63A. All breaking capacities comply with Standard IEC/EN 61009.

Technical parameter:

- Residual current device with overcurrent protection
- Combine in residual current device function and MCB over-current protection function
- Short circuit capacity: 6KA
- Rated current(A): 6, 16, 20, 25, 32, 40, 50, 63A
- Rated leakage operating current(mA): 30, 100, 300mA
- AC and A types, B-C characteristic
- Modular Din Rail products 35mm.

Dimensions(mm):



Operation Principle Fig:

