

Residual Current Circuit Breaker



MEBA ELECTRIC ENTERPRISES.

MPFIM4 Residual Current Circuit Breaker

Earth Leakage Circuit Breaker(ELCB), Residual Current Device(RCD), Residual Current Circuit Breaker(RCCB)

Brand Name: Meba

Model Number: MPFIM4

Type: Residual Current Circuit Breaker or Residual Current Device

Poles Number: 4P

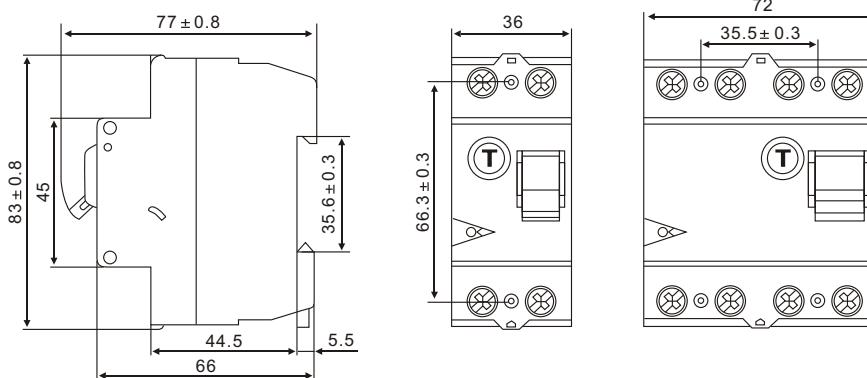
Specification:

MPFIM4, Residual Current Devices for earth leakage detection. It is to be used in association with miniature circuit breakers, its function is to detect earth leakage current and open the connected circuit to protect people and equipment, major used in industrial application. These devices are designed to meet the Earth Leakage Protection Standards of the IEC: IEC/EN61008.

Technical parameter:

- Electromagnetic and Electronic type
- 35mm wide for 4 pole Din Rail installation.
- Standards: IEC1008/EN61008
- Rated Voltage(U_n): 2 pole, 230V AC
- Rated Current(I_n): 25, 40, 63A
- Rated residual operating current($I_{\Delta n}$): 30, 100, 300, 500mA
- Rated residual non-operating current(I_{no}): 0.5 I_n
- Residual current off-time: 0.1s
- Minimum value of rated breaking capacity(I_m): 630A
- Rated conditional short-circuit capacity (I_{nc}): 6KA

Dimensions:





CF-362 Residual Current Circuit Breaker

Earth Leakage Circuit Breaker(ELCB), Residual Current Device(RCD), Residual Current Circuit Breaker(RCCB)

Brand Name: Meba

Model Number: CF-362

Type: Residual Current Circuit Breaker or Residual Current Device

Poles Number: 2P

Specification:

CF-362, Residual Current Devices for earth leakage detection. It is to be used in association with miniature circuit breakers, its function is to detect earth leakage current and open the connected circuit to protect people and equipment, major used in industrial application. These devices are designed to meet the Earth Leakage Protection Standards of the IEC: IEC/EN61008.

Technical parameter:

- Electromagnetic and Electronic type
- 35mm wide for 2 pole Din Rail installation.
- Standards: IEC1008/EN61008
- Rated Voltage(U_n): 2pole, 230V AC
- Rated Current(I_n): 25, 40, 63A
- Rated residual operating current($I_{\Delta n}$): 30, 100, 300, 500mA
- Rated residual non-operating current($I_{\Delta no}$): 0.5 $I_{\Delta n}$
- Residual current off-time: $\leq 0.1s$
- Minimum value of rated breaking capacity(I_m): 630A
- Rated conditional short-circuit capacity (I_{nc}): 6KA

CF-364 Residual Current Circuit Breaker

Earth Leakage Circuit Breaker(ELCB), Residual Current Device(RCD), Residual Current Circuit Breaker(RCCB)

Brand Name: Meba

Model Number: CF-364

Type: Residual Current Circuit Breaker or Residual Current Device

Poles Number: 4P

Specification:

CF-364, Residual Current Devices for earth leakage detection. It is to be used in association with miniature circuit breakers, its function is to detect earth leakage current and open the connected circuit to protect people and equipment, major used in industrial application. These devices are designed to meet the Earth Leakage Protection Standards of the IEC: IEC/EN61008.

Technical parameter:

- Electromagnetic and Electronic type
- 70mm wide for 4 pole Din Rail installation.
- Standards: IEC1008/EN61008
- Rated Voltage(U_n): 4pole, 400V AC
- Rated Current(I_n): 25, 40, 63A
- Rated residual operating current($I_{\Delta n}$): 30, 100, 300, 500mA
- Rated residual non-operating current($I_{\Delta no}$): 0.5 $I_{\Delta n}$
- Residual current off-time: $\leq 0.1s$
- Minimum value of rated breaking capacity(I_m): 630A
- Rated conditional short-circuit capacity (I_{nc}): 6KA

Residual Current Circuit Breaker



MEBA ELECTRIC ENTERPRISES.

CF-462 Residual Current Circuit Breaker

Earth Leakage Circuit Breaker(ELCB), Residual Current Device(RCD), Residual Current Circuit Breaker(RCCB)

Brand Name: Meba

Model Number: CF-462

Type: Residual Current Circuit Breaker or Residual Current Device

Poles Number: 2P

Specification:

CF-462, Residual Current Devices for earth leakage detection. It is to be used in association with miniature circuit breakers, its function is to detect earth leakage current and open the connected circuit to protect people and equipment, major used in industrial application. These devices are designed to meet the Earth Leakage Protection Standards of the IEC: IEC/EN 61008.

Technical parameter:

- Electromagnetic and Electronic type
- 35mm wide for 2 pole Din Rail installation.
- Standards: IEC1008/EN61008
- Rated Voltage(U_n): 2 pole, 230V AC
- Rated Current(I_n): 25, 40, 63A
- Rated residual operating current($I_{\Delta n}$): 30, 100, 300, 500mA
- Rated residual non-operating current($I_{\Delta no}$): $0.5 I_{\Delta n}$
- Residual current off-time: $\leq 0.1s$
- Minimum value of rated breaking capacity(I_m): 630A
- Rated conditional short-circuit capacity (I_{nc}): 6KA

CF-464 Residual Current Circuit Breaker

Earth Leakage Circuit Breaker(ELCB), Residual Current Device(RCD), Residual Current Circuit Breaker(RCCB)

Brand Name: Meba

Model Number: CF-464

Type: Residual Current Circuit Breaker or Residual Current Device

Poles Number: 4P

Specification:

CF-464, Residual Current Devices for earth leakage detection. It is to be used in association with miniature circuit breakers, its function is to detect earth leakage current and open the connected circuit to protect people and equipment, major used in industrial application. These devices are designed to meet the Earth Leakage Protection Standards of the IEC: IEC/EN 61008.

Technical parameter:

- Electromagnetic and Electronic type
- 70mm wide for 4 pole Din Rail installation.
- Standards: IEC1008/EN61008
- Rated Voltage(U_n): 4 pole, 400V AC
- Rated Current(I_n): 25, 40, 63A
- Rated residual operating current($I_{\Delta n}$): 30, 100, 300, 500mA
- Rated residual non-operating current($I_{\Delta no}$): $0.5 I_{\Delta n}$
- Residual current off-time: $\leq 0.1s$
- Minimum value of rated breaking capacity(I_m): 630A
- Rated conditional short-circuit capacity (I_{nc}): 6KA



www.mebamfg.com

Residual Current Circuit Breaker

DZ30L-32 Residual Current Circuit Breaker

Residual current circuit breaker with overload protection(RCBO)

Brand Name: Meba

Model Number: DZ30L-32

Type: Residual current circuit breaker with overload protection(RCBO)

Poles Number: DPN

Specification:

DZ30L-32(DPN), combination by mini circuit breaker and leakage. Which protect human from the fault of electric because of over-current, short circuit, earth fault current. It is self-protecting up to a maximum short-circuit current 63A. All breaking capacities comply with Standard IEC/EN 61009.

Technical parameter:

- Residual current device with overcurrent protection
- Combine in residual current device function and MCB over-current protection function
- Short circuit capacity: 3KA
- Rated current(A): 6, 16, 20, 25, 32A
- Rated leakage operating current(mA): 30, 100, 300mA
- AC types, B-C characteristic
- Modular Din Rail products 35mm.

DZ47LE-63-2P Residual Current Circuit Breaker

Residual current circuit breaker with overload protection(RCBO)

Brand Name: Meba

Model Number: DZ47LE-63

Type: Residual current circuit breaker with overload protection(RCBO)

Poles Number: 2 pole MCB +ELCB

Specification:

DZ47LE-63 2Pole, combination by mini circuit breaker and leakage. Which protect human from the fault of electric because of over-current, short circuit, earth fault current. It is self-protecting up to a maximum short-circuit current 63A. All breaking capacities comply with Standard IEC/EN 61009.

Technical parameter:

- Residual current device with overcurrent protection
- Combine in residual current device function and MCB over-current protection function
- Short circuit capacity: 6KA
- Rated current(A): 6, 16, 20, 25, 32, 40, 50, 63A
- Rated leakage operating current(mA): 30, 100, 300mA
- AC types, B-C characteristic
- Modular Din Rail products 35mm.

Residual Current Circuit Breaker



MEBA ELECTRIC
ENTERPRISES.

DZ47LE-63-4P Residual Current Circuit Breaker

Residual current circuit breaker with overload protection(RCBO)

Brand Name: Meba

Model Number: DZ47LE-63

Type: Residual current circuit breaker with overload protection(RCBO)

Poles Number: 4 pole MCB + ELCB

Specification:

DZ47LE-63 4 Pole, combination by mini circuit breaker and leakage. Which protect human from the fault of electric because of over-current, short circuit, earth fault current. It is self-protecting up to a maximum short-circuit current 63A. All breaking capacities comply with Standard IEC/EN 61009.

Technical parameter:

- Residual current device with overcurrent protection
- Combine in residual current device function and MCB over-current protection function
- Short circuit capacity: 6KA
- Rated current(A): 6, 16, 20, 25, 32, 40, 50, 63A
- Rated leakage operating current(mA): 30, 100, 300mA
- AC types, B-C characteristic
- Modular Din Rail products 35mm.

M Residual Current Circuit Breaker

Earth Leakage Circuit Breaker(ELCB), Residual Current Device(RCD), Residual Current Circuit Breaker(RCCB)

Brand Name: Meba

Model Number: M

Type: Residual Current Circuit Breaker or Residual Current Device

Poles Number: 2P

Specification:

M series Residual Current Devices for earth leakage detection. It is to be used in association with miniature circuit breakers, its function is to detect earth leakage current and open the connected circuit to protect people and equipment, major used in industrial application. These devices are designed to meet the Earth Leakage Protection Standards of the IEC: IEC/EN 61008.

Technical parameter:

- Electromagnetic and Electronic type
- 35mm wide for 2 pole Din Rail installation.
- Standards: IEC1008/EN61008
- Rated Voltage(U_n): 2pole, 230V AC
- Rated Current(I_n): 25, 40, 63A
- Rated residual operating current($I_{\Delta n}$): 30, 100, 300, 500mA
- Rated residual non-operating current(I_{no}): 0.5 I_n
- Residual current off-time: 0.1s
- Minimum value of rated breaking capacity(I_m): 630A
- Rated conditional short-circuit capacity (I_{nc}): 6KA



Residual Current Circuit Breaker

MB089/MB090 Residual Current Circuit Breaker

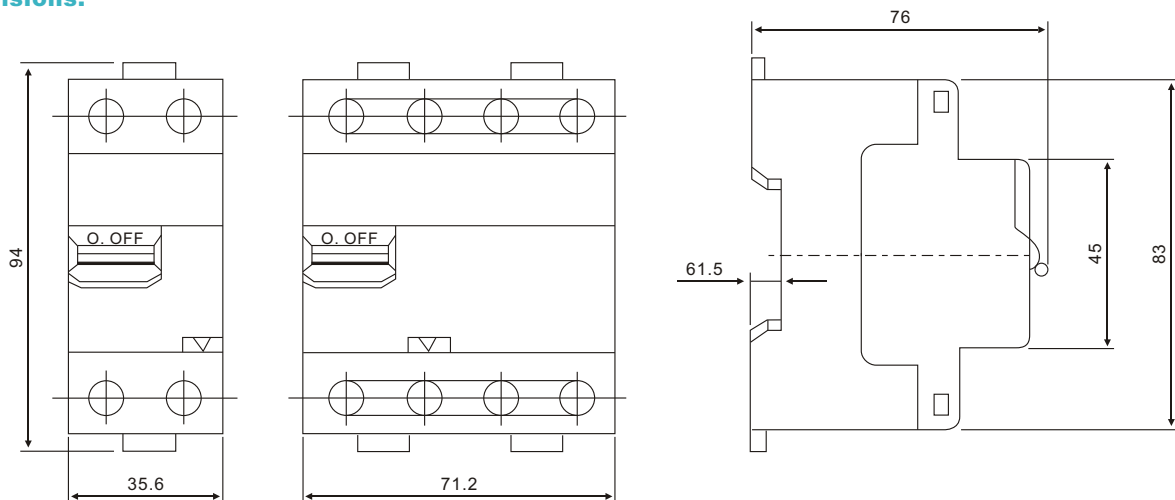
Applications:

MB089/ MB090 4P RCD provide the function of isolation switching and earth leakage protection of electrical circuits. They open a circuit automatically in the event of an earth fault between phase and earth and/or neutral and earth. A wide range of current ratings and sensitivities are available. Suitable for domestic, commercial and industrial applications.

Specification:

Standard	IEC61008-1
Rated voltage(Un)	1Pole+N: 230/240V AC, 3Pole+N: 400/415V AC
Rated current(In)	10, 16, 20, 25, 32, 40A
Rated residual operating current(In)	30, 100, 300, 500mA
Rated residual non-operating current(I no)	0.5Is n
Breaking capacity(A)	6000A
Residual current off-time	0.1s
Operating temperature	-5~+55

Dimensions:



Residual Current Circuit Breaker



MEBA ELECTRIC ENTERPRISES.

MB7L2–63 Residual Current Circuit Breaker

Applications:

MB7L2-63 RCCB provide the function of isolation switching and earth leakage protection of electrical circuits. They open a circuit automatically in the event of an earth fault between phase and earth and/or neutral and earth. A wide range of current ratings and sensitivities are available. Suitable for domestic, commercial and industrial applications.

Specification:

Standard	IEC61008-1
Rated voltage(Un)	1Pole+N: 230/240V AC, 3Pole+N: 400/415V AC
Rated current(In)	10, 16, 20, 25, 32, 40A, 50A, 63A
Rated residual operating current(In)	30, 100, 300, 500mA
Rated residual non-operating current(I no)	0.5Is n
Breaking capacity(A)	6000A
Residual current off-time	0.1s
Operating temperature	-5~+55

MB7L4–63 Residual Current Circuit Breaker

Applications:

MB7L4-63 RCCB provide the function of isolation switching and earth leakage protection of electrical circuits. They open a circuit automatically in the event of an earth fault between phase and earth and/or neutral and earth. A wide range of current ratings and sensitivities are available. Suitable for domestic, commercial and industrial applications.

Specification:

Standard	IEC61008-1
Rated voltage(Un)	1Pole+N: 230/240V AC, 3Pole+N: 400/415V AC
Rated current(In)	10, 16, 20, 25, 32, 40A, 50A, 63A
Rated residual operating current(In)	30, 100, 300, 500mA
Rated residual non-operating current(I no)	0.5Is n
Breaking capacity(A)	6000A
Residual current off-time	0.1s
Operating temperature	-5~+55



www.mebamfg.com

Residual Current Circuit Breaker

MBACH2 Residual Current Circuit Breaker

Applications:

MBACH2 RCCB provide the function of isolation switching and earth leakage protection of electrical circuits. They open a circuit automatically in the event of an earth fault between phase and earth and/or neutral and earth. A wide range of current ratings and sensitivities are available. Suitable for domestic, commercial and industrial applications.

Specification:

Standard	IEC61008-1
Rated voltage(Un)	1Pole+N: 230/240V AC, 3Pole+N: 400/415V AC
Rated current(In)	10, 16, 20, 25, 32, 40A
Rated residual operating current(In)	30, 100, 300, 500mA
Rated residual non-operating current(I no)	0.5Is n
Breaking capacity(A)	6000A
Residual current off-time	0.1s
Operating temperature	-5~+55

MBB8LE-63-1P Residual Current Circuit Breaker

Residual current circuit breaker with overload protection(RCBO)

Brand Name: Meba

Model Number: MBB8LE-63

Type: Residual current circuit breaker with overload protection(RCBO)

Poles Number: 1 pole MCB + ELCB

Specification:

MBB8LE-63 1Pole, combination by mini circuit breaker and leakage. Which protect human from the fault of electric because of over-current, short circuit, earth fault current. It is self-protecting up to a maximum short-circuit current 63A. All breaking capacities comply with Standard IEC/EN61009.

Technical parameter:

- Residual current device with overcurrent protection
- Combine in residual current device function and MCB over-current protection function
- Short circuit capacity: 6KA
- Rated current(A): 6, 16, 20, 25, 32, 40, 50, 63A
- Rated leakage operating current(mA): 30, 100, 300mA
- AC types, B-C characteristic
- Modular Din Rail products 35mm.

Residual Current Circuit Breaker



MEBA ELECTRIC ENTERPRISES.

MBB8LE-63-2P Residual Current Circuit Breaker

Residual current circuit breaker with overload protection(RCBO)

Brand Name: Meba

Model Number: MBB8LE-63

Type: Residual current breaker with overload protection(RCBO)

Poles Number: 2 pole MCB + ELCB

Specification:

MBB8LE-63 2Pole, combination by mini circuit breaker and leakage. Which protect human from the fault of electric because of over-current, short circuit, earth fault current. It is self-protecting up to a maximum short-circuit current 63A. All breaking capacities comply with Standard IEC/EN 61009.

Technical parameter:

- Residual current device with overcurrent protection
- Combine in residual current device function and MCB over-current protection function
- Short circuit capacity: 6KA
- Rated current(A): 6, 16, 20, 25, 32, 40, 50, 63A
- Rated leakage operating current(mA): 30, 100, 300mA
- AC types, B-C characteristic
- Modular Din Rail products 35mm.

MBEA-63A Residual Current Circuit Breaker

Applications:

MBEA-63A RCCB provide the function of isolation switching and earth leakage protection of electrical circuits. They open a circuit automatically in the event of an earth fault between phase and earth and/or neutral and earth. A wide range of current ratings and sensitivities are available. Suitable for domestic, commercial and industrial applications.

Specification:

Standard	IEC61008-1
Rated voltage(Un)	1Pole+N: 230/240V AC, 3Pole+N: 400/415V AC
Rated current(In)	10, 16, 20, 25, 32, 40A, 50A, 63A
Rated residual operating current(In)	30, 100, 300, 500mA
Rated residual non-operating current(I no)	0.5Is n
Breaking capacity(A)	6000A
Residual current off-time	0.1s
Operating temperature	-5~+55





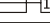

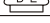
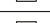
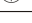


Residual Current Circuit Breaker

MBEFI-2/MBEFI-4 Residual Current Circuit Breaker

Applications:

Residual current circuit breakers MBEFI are used for protection against indirect touching of parts under voltage, for prevention of lasting voltage on earthed parts which should appear because of a defect in the electrical installation and for protection against direct contacts of parts under voltage in case of $I_{\Delta n} \leq 30\text{mA}$. Residual current circuit breakers can be used in TN-S, TN-C, TT and IT network systems or with other words in all systems where neutral and protective conductor are separated (VDE 0100 Teil 410).

Types - Our programme comprises residual current circuit breakers which are sensitive to alternating residual current (AC-type) and residual current circuit breakers which are sensitive to alternating and pulsating direct current (A-type).

		MBEFI2			MBEFI4			
		type A	type AC	type G	type A	type AC	type S	type G
	For alternating residual current		✓	✓		✓	✓	✓
	For alternating and pulsating direct residual current	✓			✓			
	Short-circuit capacity with back-up fuse	✓	✓	✓	✓	✓	✓	✓
	lower temperature limit of application -25°C	✓	✓	✓	✓	✓	✓	✓
	VDE 0664, part 1 (up to 80 A)	✓			✓			
	Selective (time delayed min. 40 ms)							
	Short time delayed (min. 10 ms)			✓				

MBEFI-2 Specification:

MBEFI-2 type A, MBEFI-2 type AC

I_n [A]	$I_{\Delta n}$ [A]	number of poles	code No.A	code No.AC	weight [g]	packaging [pcs]
16	0,03	2	002062521	002062121	229	1/54
25	0,03	2	002062522	002062122	229	1/54
40	0,03	2	002062523	002062123	229	1/54
63	0,03	2	002062524	002062124	244	1/54
80	0,03	2	002062525	002062125	244	1/54
100	0,03	2		002062126	244	1/54
16	0,1	2	002063521	002063121	223	1/54
25	0,1	2	002063522	002063122	223	1/54
40	0,1	2	002063523	002063123	223	1/54
63	0,1	2	002063524	002063124	227	1/54
80	0,1	2	002063525	002063125	230	1/54
100	0,1	2	002063526		230	1/54
16	0,3	2	002064521	002064121	223	1/54
25	0,3	2	002064522	002064122	223	1/54
40	0,3	2	002064523	002064123	223	1/54
63	0,3	2	002064524	002064124	227	1/54
80	0,3	2	002064525	002064125	230	1/54
100	0,3	2	002064526	002064126	230	1/54
16	0,5	2	002065521	002065121	223	1/54
25	0,5	2	002065522	002065122	223	1/54
40	0,5	2	002065523	002065123	223	1/54
63	0,5	2	002065524	002065124	227	1/54
80	0,5	2	002065525	002065125	230	1/54

Residual Current Circuit Breaker



**MEBA ELECTRIC
ENTERPRISES.**

MBEFI-2/MBEFI-4 Residual Current Circuit Breaker

MBEFI-2 type G

I_n [A]	$I_{\Delta n}$ [A]	number of poles	code No.AC	weight [g]	packaging [pcs]
25	0,03	2	002062722*	220	1/54
25	0,1	2	002063722*	220	1/54
40	0,3	2	002062723*	220	1/54
40	0,1	2	002063723*	220	1/54

*The same housing as MBEFI-2 100A.

MBEFI-4 Specification:

MBEFI-4 type A, MBEFI-4 type AC

I_n [A]	$I_{\Delta n}$ [A]	number of poles	code No.A	code No.AC	weight [g]	packaging [pcs]
16	0,03	4	002062541	002062141	393	1/27
25	0,03	4	002062542	002062142	393	1/27
40	0,03	4	002062543	002062143	393	1/27
63	0,03	4	002062544	002062144	400	1/27
80	0,03	4	002062545	002062145	407	1/27
100	0,03	4	002062546	002062146	407	1/27
16	0,1	4	002063541	002063141	393	1/27
25	0,1	4	002063542	002063142	393	1/27
40	0,1	4	002063543	002063143	393	1/27
63	0,1	4	002063544	002063144	400	1/27
80	0,1	4	002063545	002063145	407	1/27
100	0,1	4	002063546	002063146	407	1/27
16	0,3	4	002064541	002064141	364	1/27
25	0,3	4	002064542	002064142	364	1/27
40	0,3	4	002064543	002064143	364	1/27
63	0,3	4	002064544	002064144	372	1/27
80	0,3	4	002064545	002064145	372	1/27
100	0,3	4	002064546	002064146	372	1/27
16	0,5	4	002065541	002065141	364	1/27
25	0,5	4	002065542	002065142	364	1/27
40	0,5	4	002065543	002065143	364	1/27
63	0,5	4	002065544	002065144	372	1/27
80	0,5	4	002065545	002065145	372	1/27

* type with N-pole on the left side is also available.

MBEFI-4 type S

I_n [A]	$I_{\Delta n}$ [A]	number of poles	code No.AC	weight [g]	packaging [pcs]
40	0,3	4	002064243	400	1/27
63	0,3	4	002064244	400	1/27

MBEFI-4 type G

I_n [A]	$I_{\Delta n}$ [A]	number of poles	code No.AC	weight [g]	packaging [pcs]
40	0,03	4	002062743*	320	1/27
40	0,1	4	002063743*	320	1/27

*The same housing as MBEFI-4 100A.

MBETI also manufactures tripping relays used in residual current circuit breakers-the range of products and their technical data is available in technical information published separately.



www.mebamfg.com

Residual Current Circuit Breaker

MBR2 Residual Current Circuit Breaker

Applications:

MBR2 RCCB provide the function of isolation switching and earth leakage protection of electrical circuits. They open a circuit automatically in the event of an earth fault between phase and earth and/or neutral and earth. A wide range of current ratings and sensitivities are available. Suitable for domestic, commercial and industrial applications.

Specification:

Standard	IEC61008-1
Rated voltage(Un)	1Pole+N: 230/240V AC, 3Pole+N: 400/415V AC
Rated current(In)	10, 16, 20, 25, 32, 40A
Rated residual operating current(In)	30, 100, 300, 500mA
Rated residual non-operating current(I no)	0.5I n
Breaking capacity(A)	6000A
Residual current off-time	0.1s
Operating temperature	-5~+55

PFIM-2P Residual Current Circuit Breaker

Earth Leakage Circuit Breaker(ELCB), Residual Current Device(RCD), Residual Current Circuit Breaker(RCCB)

Brand Name: Meba

Model Number: PFIM

Type: Residual Current Circuit Breaker or Residual Current Device

Poles Number: 2P

Specification:

PFIM 2P, Residual Current Devices for earth leakage detection. It is to be used in association with miniature circuit breakers, its function is to detect earth leakage current and open the connected circuit to protect people and equipment, major used in industrial application. These devices are designed to meet the Earth Leakage Protection Standards of the IEC: IEC/EN61008.

Technical parameter:

- Electromagnetic and Electronic type
- 35mm wide for 2 pole Din Rail installation.
- Standards: IEC1008/EN61008
- Rated Voltage(Un): 2pole, 230V AC
- Rated Current(In): 25, 40, 63A
- Rated residual operating current(I Δ n): 30, 100, 300, 500mA
- Rated residual non-operating current(I Δ no): 0.5 I Δ n
- Residual current off-time: \leq 0.1s
- Minimum value of rated breaking capacity(I m): 630A
- Rated conditional short-circuit capacity (I nc): 6KA

Residual Current Circuit Breaker



MEBA ELECTRIC ENTERPRISES.

PFIM-40-2P Residual Current Circuit Breaker

Earth Leakage Circuit Breaker(ELCB), Residual Current Device(RCD), Residual Current Circuit Breaker(RCCB)

Brand Name: Meba

Model Number: PFIM

Type: Residual Current Circuit Breaker or Residual Current Device

Poles Number: 2P

Specification:

PFIM 2P, Residual Current Devices for earth leakage detection. It is to be used in association with miniature circuit breakers, its function is to detect earth leakage current and open the connected circuit to protect people and equipment, major used in industrial application. These devices are designed to meet the Earth Leakage Protection Standards of the IEC: IEC/EN 61008.

Technical parameter:

- Electromagnetic and Electronic type
- 35mm wide for 2 pole Din Rail installation.
- Standards: IEC1008/EN61008
- Rated Voltage(U_n): 2pole, 230V AC
- Rated Current(I_n): 25, 40, 63A
- Rated residual operating current($I_{\Delta n}$): 30, 100, 300, 500mA
- Rated residual non-operating current($I_{\Delta no}$): $0.5 I_{\Delta n}$
- Residual current off-time: $\leq 0.1s$
- Minimum value of rated breaking capacity(I_m): 630A
- Rated conditional short-circuit capacity (I_{nc}): 6KA

PFIM-40-4P Residual Current Circuit Breaker

Earth Leakage Circuit Breaker(ELCB), Residual Current Device(RCD), Residual Current Circuit Breaker(RCCB)

Brand Name: Meba

Model Number: PFIM

Type: Residual Current Circuit Breaker or Residual Current Device

Poles Number: 4P

Specification:

PFIM 4P, Residual Current Devices for earth leakage detection. It is to be used in association with miniature circuit breakers, its function is to detect earth leakage current and open the connected circuit to protect people and equipment, major used in industrial application. These devices are designed to meet the Earth Leakage Protection Standards of the IEC: IEC/EN 61008.

Technical parameter:

- Electromagnetic and Electronic type
- 70mm wide for 4 pole Din Rail installation.
- Standards: IEC1008/EN61008
- Rated Voltage(U_n): 4pole, 400V AC
- Rated Current(I_n): 25, 40, 63A
- Rated residual operating current($I_{\Delta n}$): 30, 100, 300, 500mA
- Rated residual non-operating current($I_{\Delta no}$): $0.5 I_{\Delta n}$
- Residual current off-time: $\leq 0.1s$
- Minimum value of rated breaking capacity(I_m): 630A
- Rated conditional short-circuit capacity (I_{nc}): 6KA



www.mebamfg.com

Residual Current Circuit Breaker

RCCB-OLL4-2P Residual Current Circuit Breaker

Earth Leakage Circuit Breaker(ELCB), Residual Current Device(RCD), Residual Current Circuit Breaker(RCCB)

Brand Name: Meba

Model Number: OLL4

Type: Residual Current Circuit Breaker or Residual Current Device

Poles Number: 2P

Specification:

OLL4, Residual Current Devices for earth leakage detection. It is to be used in association with miniature circuit breakers, its function is to detect earth leakage current and open the connected circuit to protect people and equipment, major used in industrial application. These devices are designed to meet the Earth Leakage Protection Standards of the IEC: IEC/EN 61008.

Technical parameter:

- Electromagnetic and Electronic type
- 35mm wide for 2 pole Din Rail installation.
- Standards: IEC 1008/EN 61008
- Rated Voltage(U_n): 2 pole, 230V AC
- Rated Current(I_n): 25, 40, 63A
- Rated residual operating current($I_{\Delta n}$): 30, 100, 300, 500mA
- Rated residual non-operating current($I_{\Delta no}$): 0.5 $I_{\Delta n}$
- Residual current off-time: $\leq 0.1s$
- Minimum value of rated breaking capacity(I_m): 630A
- Rated conditional short-circuit capacity (I_{nc}): 6KA

RCCB-OLL4-4P Residual Current Circuit Breaker

Earth Leakage Circuit Breaker(ELCB), Residual Current Device(RCD), Residual Current Circuit Breaker(RCCB)

Brand Name: Meba

Model Number: OLL4

Type: Residual Current Circuit Breaker or Residual Current Device

Poles Number: 4P

Specification:

OLL4, Residual Current Devices for earth leakage detection. It is to be used in association with miniature circuit breakers, its function is to detect earth leakage current and open the connected circuit to protect people and equipment, major used in industrial application. These devices are designed to meet the Earth Leakage Protection Standards of the IEC: IEC/EN 61008.

Technical parameter:

- Electromagnetic and Electronic type
- 70mm wide for 4 pole Din Rail installation.
- Standards: IEC 1008/EN 61008
- Rated Voltage(U_n): 4 pole, 400V AC
- Rated Current(I_n): 25, 40, 63A
- Rated residual operating current($I_{\Delta n}$): 30, 100, 300, 500mA
- Rated residual non-operating current($I_{\Delta no}$): 0.5 $I_{\Delta n}$
- Residual current off-time: $\leq 0.1s$
- Minimum value of rated breaking capacity(I_m): 630A
- Rated conditional short-circuit capacity (I_{nc}): 6KA

Residual Current Circuit Breaker



MEBA ELECTRIC ENTERPRISES.

RCD-FIN-2P Residual Current Circuit Breaker

Earth Leakage Circuit Breaker(ELCB), Residual Current Device(RCD), Residual Current Circuit Breaker(RCCB)

Brand Name: Meba

Model Number: FIN

Type: Residual Current Circuit Breaker or Residual Current Device

Poles Number: 2P

Specification:

FIN 2P, Residual Current Devices for earth leakage detection. It is to be used in association with miniature circuit breakers, its function is to detect earth leakage current and open the connected circuit to protect people and equipment, major used in industrial application. These devices are designed to meet the Earth Leakage Protection Standards of the IEC: IEC/EN61008.

Technical parameter:

- Electromagnetic and Electronic type
- 35mm wide for 2 pole Din Rail installation.
- Standards: IEC1008/EN61008
- Rated Voltage(U_n): 2 pole, 230V AC
- Rated Current(I_n): 25, 40, 63A
- Rated residual operating current($I_{\Delta n}$): 30, 100, 300, 500mA
- Rated residual non-operating current($I_{\Delta no}$): 0.5 $I_{\Delta n}$
- Residual current off-time: $\leq 0.1s$
- Minimum value of rated breaking capacity(I_m): 630A
- Rated conditional short-circuit capacity (I_{nc}): 6KA

RCD-FIN-4P Residual Current Circuit Breaker

Earth Leakage Circuit Breaker(ELCB), Residual Current Device(RCD), Residual Current Circuit Breaker(RCCB)

Brand Name: Meba

Model Number: FIN

Type: Residual Current Circuit Breaker or Residual Current Device

Poles Number: 4P

Specification:

FIN, Residual Current Devices for earth leakage detection. It is to be used in association with miniature circuit breakers, its function is to detect earth leakage current and open the connected circuit to protect people and equipment, major used in industrial application. These devices are designed to meet the Earth Leakage Protection Standards of the IEC: IEC/EN61008.

Technical parameter:

- Electromagnetic and Electronic type
- 70mm wide for 4 pole Din Rail installation.
- Standards: IEC1008/EN61008
- Rated Voltage(U_n): 4 pole, 400V AC
- Rated Current(I_n): 25, 40, 63A
- Rated residual operating current($I_{\Delta n}$): 30, 100, 300, 500mA
- Rated residual non-operating current($I_{\Delta no}$): 0.5 $I_{\Delta n}$
- Residual current off-time: $\leq 0.1s$
- Minimum value of rated breaking capacity(I_m): 630A
- Rated conditional short-circuit capacity (I_{nc}): 6KA



RCD-ID-2P Residual Current Circuit Breaker

Earth Leakage Circuit Breaker(ELCB), Residual Current Device(RCD), Residual Current Circuit Breaker(RCCB)

Brand Name: Meba

Model Number: ID

Type: Residual Current Circuit Breaker or Residual Current Device

Poles Number: 2P

Specification:

ID 2P, Residual Current Devices for earth leakage detection. It is to be used in association with miniature circuit breakers, its function is to detect earth leakage current and open the connected circuit to protect people and equipment, major used in industrial application. These devices are designed to meet the Earth Leakage Protection Standards of the IEC: IEC/EN 61008.

Technical parameter:

- Electromagnetic and Electronic type
- 35mm wide for 2 pole Din Rail installation.
- Standards: IEC1008/EN61008
- Rated Voltage(U_n): 2pole, 230V AC
- Rated Current(I_n): 25, 40, 63A
- Rated residual operating current($I_{\Delta n}$): 30, 100, 300, 500mA
- Rated residual non-operating current($I_{\Delta no}$): 0.5 $I_{\Delta n}$
- Residual current off-time: $\leq 0.1s$
- Minimum value of rated breaking capacity(I_m): 630A
- Rated conditional short-circuit capacity (I_{nc}): 6KA

RCD-ID-4P Residual Current Circuit Breaker

Earth Leakage Circuit Breaker(ELCB), Residual Current Device(RCD), Residual Current Circuit Breaker(RCCB)

Brand Name: Meba

Model Number: ID

Type: Residual Current Circuit Breaker or Residual Current Device

Poles Number: 4P

Specification:

ID, Residual Current Devices for earth leakage detection. It is to be used in association with miniature circuit breakers, its function is to detect earth leakage current and open the connected circuit to protect people and equipment, major used in industrial application. These devices are designed to meet the Earth Leakage Protection Standards of the IEC: IEC/EN 61008.

Technical parameter:

- Electromagnetic and Electronic type
- 70mm wide for 4 pole Din Rail installation.
- Standards: IEC1008/EN61008
- Rated Voltage(U_n): 4pole, 400V AC
- Rated Current(I_n): 25, 40, 63A
- Rated residual operating current($I_{\Delta n}$): 30, 100, 300, 500mA
- Rated residual non-operating current($I_{\Delta no}$): 0.5 $I_{\Delta n}$
- Residual current off-time: $\leq 0.1s$
- Minimum value of rated breaking capacity(I_m): 630A
- Rated conditional short-circuit capacity (I_{nc}): 6KA

Residual Current Circuit Breaker



MEBA ELECTRIC
ENTERPRISES.

RCD-MNL-2P Residual Current Circuit Breaker

Earth Leakage Circuit Breaker(ELCB), Residual Current Device(RCD), Residual Current Circuit Breaker(RCCB)

Brand Name: Meba

Model Number: MNL

Type: Residual Current Circuit Breaker or Residual Current Device

Poles Number: 2P

Specification:

MNL, Residual Current Devices for earth leakage detection. It is to be used in association with miniature circuit breakers, its function is to detect earth leakage current and open the connected circuit to protect people and equipment, major used in industrial application. These devices are designed to meet the Earth Leakage Protection Standards of the IEC: IEC/EN61008.

Technical parameter:

- Electromagnetic and Electronic type
- 35mm wide for 2 pole Din Rail installation.
- Standards: IEC1008/EN61008
- Rated Voltage(U_n): 2 pole, 230V AC
- Rated Current(I_n): 25, 40, 63A
- Rated residual operating current($I_{\Delta n}$): 30, 100, 300, 500mA
- Rated residual non-operating current($I_{\Delta no}$): $0.5 I_{\Delta n}$
- Residual current off-time: $\leq 0.1s$
- Minimum value of rated breaking capacity(I_m): 630A
- Rated conditional short-circuit capacity (I_{nc}): 6KA

RCD-MNL-4P Residual Current Circuit Breaker

Earth Leakage Circuit Breaker(ELCB), Residual Current Device(RCD), Residual Current Circuit Breaker(RCCB)

Brand Name: Meba

Model Number: MNL

Type: Residual Current Circuit Breaker or Residual Current Device

Poles Number: 4P

Specification:

MNL, Residual Current Devices for earth leakage detection. It is to be used in association with miniature circuit breakers, its function is to detect earth leakage current and open the connected circuit to protect people and equipment, major used in industrial application. These devices are designed to meet the Earth Leakage Protection Standards of the IEC: IEC/EN61008.

Technical parameter:

- Electromagnetic and Electronic type
- 70mm wide for 4 pole Din Rail installation.
- Standards: IEC1008/EN61008
- Rated Voltage(U_n): 4 pole, 400V AC
- Rated Current(I_n): 25, 40, 63A
- Rated residual operating current($I_{\Delta n}$): 30, 100, 300, 500mA
- Rated residual non-operating current($I_{\Delta no}$): $0.5 I_{\Delta n}$
- Residual current off-time: $\leq 0.1s$
- Minimum value of rated breaking capacity(I_m): 630A
- Rated conditional short-circuit capacity (I_{nc}): 6KA



www.mebamfg.com

Residual Current Circuit Breaker

RCD-NFIN Residual Current Circuit Breaker

Earth Leakage Circuit Breaker(ELCB), Residual Current Device(RCD), Residual Current Circuit Breaker(RCCB)

Brand Name: Meba

Model Number: NFIN

Type: Residual Current Circuit Breaker or Residual Current Device

Poles Number: 2P

Specification:

NFIN, Residual Current Devices for earth leakage detection. It is to be used in association with miniature circuit breakers, its function is to detect earth leakage current and open the connected circuit to protect people and equipment, major used in industrial application. These devices are designed to meet the Earth Leakage Protection Standards of the IEC: IEC/EN 61008.

Technical parameter:

- Electromagnetic and Electronic type
- 35mm wide for 2 pole Din Rail installation.
- Standards: IEC 1008/EN 61008
- Rated Voltage(U_n): 2 pole, 230V AC
- Rated Current(I_n): 25, 40, 63A
- Rated residual operating current($I_{\Delta n}$): 30, 100, 300, 500mA
- Rated residual non-operating current($I_{\Delta no}$): $0.5 I_{\Delta n}$
- Residual current off-time: $\leq 0.1s$
- Minimum value of rated breaking capacity(I_m): 630A
- Rated conditional short-circuit capacity (I_{nc}): 6KA

RCD-OLL1-2P Residual Current Circuit Breaker

Earth Leakage Circuit Breaker(ELCB), Residual Current Device(RCD), Residual Current Circuit Breaker(RCCB)

Brand Name: Meba

Model Number: OLL1

Type: Residual Current Circuit Breaker or Residual Current Device

Poles Number: 2P

Specification:

OLL1, Residual Current Devices for earth leakage detection. It is to be used in association with miniature circuit breakers, its function is to detect earth leakage current and open the connected circuit to protect people and equipment, major used in industrial application. These devices are designed to meet the Earth Leakage Protection Standards of the IEC: IEC/EN 61008.

Technical parameter:

- Electromagnetic and Electronic type
- 35mm wide for 2 pole Din Rail installation.
- Standards: IEC 1008/EN 61008
- Rated Voltage(U_n): 2 pole, 230V AC
- Rated Current(I_n): 25, 40, 63A
- Rated residual operating current($I_{\Delta n}$): 30, 100, 300, 500mA
- Rated residual non-operating current($I_{\Delta no}$): $0.5 I_{\Delta n}$
- Residual current off-time: $\leq 0.1s$
- Minimum value of rated breaking capacity(I_m): 630A
- Rated conditional short-circuit capacity (I_{nc}): 6KA

Residual Current Circuit Breaker



RCD-OLL1-4P Residual Current Circuit Breaker

Earth Leakage Circuit Breaker(ELCB), Residual Current Device(RCD), Residual Current Circuit Breaker(RCCB)

Brand Name: Meba

Model Number: OLL1

Type: Residual Current Circuit Breaker or Residual Current Device

Poles Number: 4P

Specification:

OLL1-4P, Residual Current Devices for earth leakage detection. It is to be used in association with miniature circuit breakers, its function is to detect earth leakage current and open the connected circuit to protect people and equipment, major used in industrial application. These devices are designed to meet the Earth Leakage Protection Standards of the IEC: IEC/EN61008.

Technical parameter:

- Electromagnetic and Electronic type
- 70mm wide for 4 pole Din Rail installation.
- Standards: IEC1008/EN61008
- Rated Voltage(Un): 4pole, 400V AC
- Rated Current(In): 25, 40, 63A
- Rated residual operating current(IΔn): 30, 100, 300, 500mA
- Rated residual non-operating current(IΔno): 0.5 IΔn
- Residual current off-time: ≤0.1s
- Minimum value of rated breaking capacity(I_m): 630A
- Rated conditional short-circuit capacity (I_{nc}): 6KA

RCD-OLL18-63 Residual Current Circuit Breaker

Earth Leakage Circuit Breaker(ELCB), Residual Current Device(RCD), Residual Current Circuit Breaker(RCCB)

Specification:

OLL18-63, replace of DZ18-20, Residual Current Devices for earth leakage detection. It is to be used in association with miniature circuit breakers, its function is to detect earth leakage current and open the connected circuit to protect people and equipment, major used in industrial application. These devices are designed to meet the Earth Leakage Protection Standards of the IEC: IEC/EN61008.

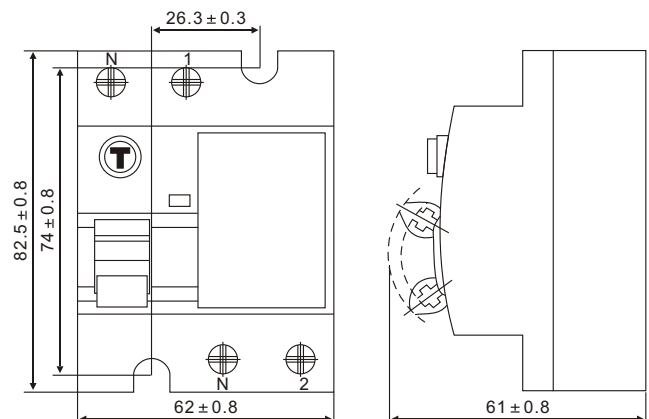
Brand Name: Meba

Model Number: OLL18-63

Type: Residual Current Circuit Breaker or Residual Current Device

Release Type: Electromagnetic

Dimensions(mm):



Technical parameter:

- Electromagnetic
- Standards: IEC1008/EN61008
- Rated Voltage(Un): 230V AC
- Rated Current(In): 25, 40, 63A
- Rated residual operating current(IΔn): 30, 100, 300, 500mA
- Rated residual non-operating current(IΔno): 0.5 IΔn
- Residual current off-time: ≤0.1s
- Minimum value of rated breaking capacity(I_m): 630A
- Rated conditional short-circuit capacity (I_{nc}): 6KA



www.mebamfg.com

Residual Current Circuit Breaker

RCD-OLL2-2P Residual Current Circuit Breaker

Earth Leakage Circuit Breaker(ELCB), Residual Current Device(RCD), Residual Current Circuit Breaker(RCCB)

Brand Name: Meba

Model Number: OLL2

Type: Residual Current Circuit Breaker or Residual Current Device

Poles Number: 2P

Specification:

OLL2, Residual Current Devices for earth leakage detection. It is to be used in association with miniature circuit breakers, its function is to detect earth leakage current and open the connected circuit to protect people and equipment, major used in industrial application. These devices are designed to meet the Earth Leakage Protection Standards of the IEC: IEC/EN 61008.

Technical parameter:

- Electromagnetic and Electronic type
- 35mm wide for 2 pole Din Rail installation.
- Standards: IEC 1008/EN 61008
- Rated Voltage(U_n): 2 pole, 230V AC
- Rated Current(I_n): 25, 40, 63A
- Rated residual operating current($I_{\Delta n}$): 30, 100, 300, 500mA
- Rated residual non-operating current($I_{\Delta no}$): $0.5 I_{\Delta n}$
- Residual current off-time: $\leq 0.1s$
- Minimum value of rated breaking capacity(I_m): 630A
- Rated conditional short-circuit capacity (I_{nc}): 6KA

RCD-OLL2-4P Residual Current Circuit Breaker

Earth Leakage Circuit Breaker(ELCB), Residual Current Device(RCD), Residual Current Circuit Breaker(RCCB)

Brand Name: Meba

Model Number: OLL2

Type: Residual Current Circuit Breaker or Residual Current Device

Poles Number: 4P

Specification:

OLL2, Residual Current Devices for earth leakage detection. It is to be used in association with miniature circuit breakers, its function is to detect earth leakage current and open the connected circuit to protect people and equipment, major used in industrial application. These devices are designed to meet the Earth Leakage Protection Standards of the IEC: IEC/EN 61008.

Technical parameter:

- Electromagnetic and Electronic type
- 70mm wide for 4 pole Din Rail installation.
- Standards: IEC 1008/EN 61008
- Rated Voltage(U_n): 4 pole, 400V AC
- Rated Current(I_n): 25, 40, 63A
- Rated residual operating current($I_{\Delta n}$): 30, 100, 300, 500mA
- Rated residual non-operating current($I_{\Delta no}$): $0.5 I_{\Delta n}$
- Residual current off-time: $\leq 0.1s$
- Minimum value of rated breaking capacity(I_m): 630A
- Rated conditional short-circuit capacity (I_{nc}): 6KA

Residual Current Circuit Breaker



MEBA ELECTRIC ENTERPRISES.

RCD-OLL2-N-2P Residual Current Circuit Breaker

Earth Leakage Circuit Breaker(ELCB), Residual Current Device(RCD), Residual Current Circuit Breaker(RCCB)

Brand Name: Meba

Model Number: OLL2-N

Type: Residual Current Circuit Breaker or Residual Current Device

Poles Number: 2P

Specification:

OLL2-N, Residual Current Devices for earth leakage detection. It is to be used in association with miniature circuit breakers, its function is to detect earth leakage current and open the connected circuit to protect people and equipment, major used in industrial application. These devices are designed to meet the Earth Leakage Protection Standards of the IEC: IEC/EN61008.

Technical parameter:

- Electromagnetic and Electronic type
- 35mm wide for 2 pole Din Rail installation.
- Standards: IEC1008/EN61008
- Rated Voltage(U_n): 2 pole, 230V AC
- Rated Current(I_n): 25, 40, 63A
- Rated residual operating current($I_{\Delta n}$): 30, 100, 300, 500mA
- Rated residual non-operating current($I_{\Delta no}$): $0.5 I_{\Delta n}$
- Residual current off-time: $\leq 0.1s$
- Minimum value of rated breaking capacity(I_m): 630A
- Rated conditional short-circuit capacity (I_{nc}): 6KA

RCD-OLL2-N-4P Residual Current Circuit Breaker

Earth Leakage Circuit Breaker(ELCB), Residual Current Device(RCD), Residual Current Circuit Breaker(RCCB)

Brand Name: Meba

Model Number: OLL2-N

Type: Residual Current Circuit Breaker or Residual Current Device

Poles Number: 4P

Specification:

OLL2-N, Residual Current Devices for earth leakage detection. It is to be used in association with miniature circuit breakers, its function is to detect earth leakage current and open the connected circuit to protect people and equipment, major used in industrial application. These devices are designed to meet the Earth Leakage Protection Standards of the IEC: IEC/EN61008.

Technical parameter:

- Electromagnetic and Electronic type
- 70mm wide for 4 pole Din Rail installation.
- Standards: IEC1008/EN61008
- Rated Voltage(U_n): 4 pole, 400V AC
- Rated Current(I_n): 25, 40, 63A
- Rated residual operating current($I_{\Delta n}$): 30, 100, 300, 500mA
- Rated residual non-operating current($I_{\Delta no}$): $0.5 I_{\Delta n}$
- Residual current off-time: $\leq 0.1s$
- Minimum value of rated breaking capacity(I_m): 630A
- Rated conditional short-circuit capacity (I_{nc}): 6KA



www.mebamfg.com

Residual Current Circuit Breaker

RCD-OLL7-2P Residual Current Circuit Breaker

Earth Leakage Circuit Breaker(ELCB), Residual Current Device(RCD), Residual Current Circuit Breaker(RCCB)

Brand Name: Meba

Model Number: OLL7

Type: Residual Current Circuit Breaker or Residual Current Device

Poles Number: 2P

Specification:

OLL7, Residual Current Devices for earth leakage detection. It is to be used in association with miniature circuit breakers, its function is to detect earth leakage current and open the connected circuit to protect people and equipment, major used in industrial application. These devices are designed to meet the Earth Leakage Protection Standards of the IEC: IEC/EN 61008.

Technical parameter:

- Electromagnetic and Electronic type
- 35mm wide for 2 pole Din Rail installation.
- Standards: IEC 1008/EN 61008
- Rated Voltage(U_n): 2 pole, 230V AC
- Rated Current(I_n): 25, 40, 63A
- Rated residual operating current($I_{\Delta n}$): 30, 100, 300, 500mA
- Rated residual non-operating current($I_{\Delta no}$): $0.5 I_{\Delta n}$
- Residual current off-time: $\leq 0.1s$
- Minimum value of rated breaking capacity(I_m): 630A
- Rated conditional short-circuit capacity (I_{nc}): 10KA

RCD-OLL7-4P Residual Current Circuit Breaker

Earth Leakage Circuit Breaker(ELCB), Residual Current Device(RCD), Residual Current Circuit Breaker(RCCB)

Brand Name: Meba

Model Number: OLL7

Type: Residual Current Circuit Breaker or Residual Current Device

Poles Number: 4P

Specification:

OLL7, Residual Current Devices for earth leakage detection. It is to be used in association with miniature circuit breakers, its function is to detect earth leakage current and open the connected circuit to protect people and equipment, major used in industrial application. These devices are designed to meet the Earth Leakage Protection Standards of the IEC: IEC/EN 61008.

Technical parameter:

- Electromagnetic and Electronic type
- 70mm wide for 4 pole devices Din Rail installation.
- Standards: IEC 1008/EN 61008
- Rated Voltage(U_n): 4 pole, 400V AC
- Rated Current(I_n): 25, 40, 63A
- Rated residual operating current($I_{\Delta n}$): 30, 100, 300, 500mA
- Rated residual non-operating current($I_{\Delta no}$): $0.5 I_{\Delta n}$
- Residual current off-time: $\leq 0.1s$
- Minimum value of rated breaking capacity(I_m): 630A
- Rated conditional short-circuit capacity (I_{nc}): 10KA

Residual Current Circuit Breaker



MEBA ELECTRIC
ENTERPRISES.

RCD-OLL7-3-2P Residual Current Circuit Breaker

Earth Leakage Circuit Breaker(ELCB), Residual Current Device(RCD), Residual Current Circuit Breaker(RCCB)

Brand Name: Meba

Model Number: OLL7-3

Type: Residual Current Circuit Breaker or Residual Current Device

Poles Number: 2P

Specification:

OLL7-3, Residual Current Devices for earth leakage detection. It is to be used in association with miniature circuit breakers, its function is to detect earth leakage current and open the connected circuit to protect people and equipment, major used in industrial application. These devices are designed to meet the Earth Leakage Protection Standards of the IEC: IEC/EN61008.

Technical parameter:

- Electromagnetic and Electronic type
- 35mm wide for 2 pole Din Rail installation.
- Standards: IEC1008/EN61008
- Rated Voltage(U_n): 2 pole, 230V AC
- Rated Current(I_n): 25, 40, 63A
- Rated residual operating current($I_{\Delta n}$): 30, 100, 300, 500mA
- Rated residual non-operating current($I_{\Delta no}$): $0.5 I_{\Delta n}$
- Residual current off-time: $\leq 0.1s$
- Minimum value of rated breaking capacity(I_m): 630A
- Rated conditional short-circuit capacity (I_{nc}): 10KA

RCD-OLL7-3-4P Residual Current Circuit Breaker

Earth Leakage Circuit Breaker(ELCB), Residual Current Device(RCD), Residual Current Circuit Breaker(RCCB)

Brand Name: Meba

Model Number: OLL7-3

Type: Residual Current Circuit Breaker or Residual Current Device

Poles Number: 4P

Specification:

OLL7-3, Residual Current Devices for earth leakage detection. It is to be used in association with miniature circuit breakers, its function is to detect earth leakage current and open the connected circuit to protect people and equipment, major used in industrial application. These devices are designed to meet the Earth Leakage Protection Standards of the IEC: IEC/EN61008.

Technical parameter:

- Electromagnetic and Electronic type
- 70mm wide for 4 pole Din Rail installation.
- Standards: IEC1008/EN61008
- Rated Voltage(U_n): 4 pole, 400V AC
- Rated Current(I_n): 25, 40, 63A
- Rated residual operating current($I_{\Delta n}$): 30, 100, 300, 500mA
- Rated residual non-operating current($I_{\Delta no}$): $0.5 I_{\Delta n}$
- Residual current off-time: $\leq 0.1s$
- Minimum value of rated breaking capacity(I_m): 630A
- Rated conditional short-circuit capacity (I_{nc}): 10KA



RCD-OLL7-4-2P Residual Current Circuit Breaker

Earth Leakage Circuit Breaker(ELCB), Residual Current Device(RCD), Residual Current Circuit Breaker(RCCB)

Brand Name: Meba

Model Number: OLL7-4

Type: Residual Current Circuit Breaker or Residual Current Device

Poles Number: 2P

Specification:

OLL7-4, Residual Current Devices for earth leakage detection. It is to be used in association with miniature circuit breakers, its function is to detect earth leakage current and open the connected circuit to protect people and equipment, major used in industrial application. These devices are designed to meet the Earth Leakage Protection Standards of the IEC: IEC/EN 61008.

Technical parameter:

- Electromagnetic and Electronic type
- 35mm wide for 2 pole Din Rail installation.
- Standards: IEC1008/EN61008
- Rated Voltage(U_n): 2pole, 230V AC
- Rated Current(I_n): 25, 40, 63A
- Rated residual operating current($I_{\Delta n}$): 30, 100, 300, 500mA
- Rated residual non-operating current($I_{\Delta no}$): 0.5 $I_{\Delta n}$
- Residual current off-time: $\leq 0.1s$
- Minimum value of rated breaking capacity(I_m): 630A
- Rated conditional short-circuit capacity (I_{nc}): 10KA

RCD-OLL7-4-4P Residual Current Circuit Breaker

Earth Leakage Circuit Breaker(ELCB), Residual Current Device(RCD), Residual Current Circuit Breaker(RCCB)

Brand Name: Meba

Model Number: OLL7-4

Type: Residual Current Circuit Breaker or Residual Current Device

Poles Number: 4P

Specification:

OLL7-4, Residual Current Devices for earth leakage detection. It is to be used in association with miniature circuit breakers, its function is to detect earth leakage current and open the connected circuit to protect people and equipment, major used in industrial application. These devices are designed to meet the Earth Leakage Protection Standards of the IEC: IEC/EN 61008.

Technical parameter:

- Electromagnetic and Electronic type
- 70mm wide for 4 pole devices Din Rail installation.
- Standards: IEC1008/EN61008
- Rated Voltage(U_n): 4pole, 400V AC
- Rated Current(I_n): 25, 40, 63A
- Rated residual operating current($I_{\Delta n}$): 30, 100, 300, 500mA
- Rated residual non-operating current($I_{\Delta no}$): 0.5 $I_{\Delta n}$
- Residual current off-time: $\leq 0.1s$
- Minimum value of rated breaking capacity(I_m): 630A
- Rated conditional short-circuit capacity (I_{nc}): 10KA

Residual Current Circuit Breaker



MEBA ELECTRIC ENTERPRISES.

RCD-PF-2P Residual Current Circuit Breaker

Earth Leakage Circuit Breaker(ELCB), Residual Current Device(RCD), Residual Current Circuit Breaker(RCCB)

Brand Name: Meba

Model Number: PF-2P

Type: Residual Current Circuit Breaker or Residual Current Device

Poles Number: 2P

Specification:

Model PF, four pole, Residual Current Devices for earth leakage detection to the standards of IEC. It is to be used in association with miniature circuit breakers, its function is to detect earth leakage current and open the connected circuit to protect people and equipment, major used in industrial application. These devices are designed to meet the Earth Leakage Protection Standards of the IEC: IEC/EN 61008.

Flexibility:

With a wide range of currents and rated trip current available, the appropriate level of protection can be chosen for specific applications for either personnel or equipment protection.

Technical parameter:

- Electromagnetic and Electronic type
- 35mm wide for 2 pole Din Rail installation.
- Standard: IEC1008/EN61008
- Rated Voltage(U_n): 2pole, 230VAC
- Rated Current(I_n): 25, 40, 63A
- Rated residual operating current($I_{\Delta n}$): 30, 100, 300, 500mA
- Rated residual non-operating current($I_{\Delta no}$): $0.5 I_{\Delta n}$
- Residual current off-time: $\leq 0.1s$
- Minimum value of rated breaking capacity(I_m): 630A
- Rated conditional short-circuit capacity (I_{nc}): 10KA

RCD-PF-4P Residual Current Circuit Breaker

Earth Leakage Circuit Breaker(ELCB), Residual Current Device(RCD), Residual Current Circuit Breaker(RCCB)

Brand Name: Meba

Model Number: PF-4P

Type: Residual Current Circuit Breaker or Residual Current Device

Poles Number: 4P

Specification:

Model PF, four pole, Residual Current Devices for earth leakage detection to the standards of IEC. It is to be used in association with miniature circuit breakers, its function is to detect earth leakage current and open the connected circuit to protect people and equipment, major used in industrial application. These devices are designed to meet the Earth Leakage Protection Standards of the IEC: IEC/EN 61008.

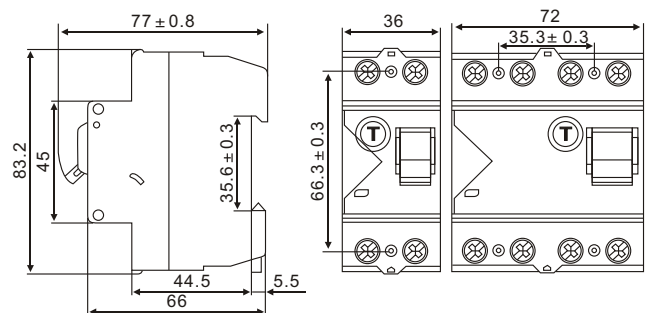
Technical parameter:

- Electromagnetic and Electronic type
- 70mm wide for 4 pole devices Din Rail installation.
- Standard: IEC1008/EN61008
- Rated Voltage(U_n): 4pole, 400VAC
- Rated Current(I_n): 25, 40, 63A
- Rated residual operating current($I_{\Delta n}$): 30, 100, 300, 500mA
- Rated residual non-operating current($I_{\Delta no}$): $0.5 I_{\Delta n}$
- Residual current off-time: $\leq 0.1s$
- Minimum value of rated breaking capacity(I_m): 630A
- Rated conditional short-circuit capacity (I_{nc}): 10KA

Flexibility:

With a wide range of currents and rated trip current available, the appropriate level of protection can be chosen for specific applications for either personnel or equipment protection.

Dimensions(mm):



Operation Principle Fig:

